

Operating Instructions & Parts Manual

Please read and save these instructions. Read carefully before attempting to assemble, install, operate or maintain the product described. Protect yourself and others by observing all safety information. Failure to comply with instructions could result in personal injury and/or property damage! Retain instructions for future reference.

Pressure Booster Pumps

Description

Pressure booster pumps increase water pressure from city mains or private water systems. Applications include providing high water pressure for washing buildings, dairy walls or floors, hog parlors, poultry houses, rinsing or spray cooling equipment, lawn sprinkling and insecticide spraying.

Single-phase models are equipped with a capacitor start, thermal protected motor. Three-phase models require separate overload protection.

Unpacking

When unpacking the unit, inspect carefully for any damage that may have occurred during transit.

NOTE: Use pump with clear water only.

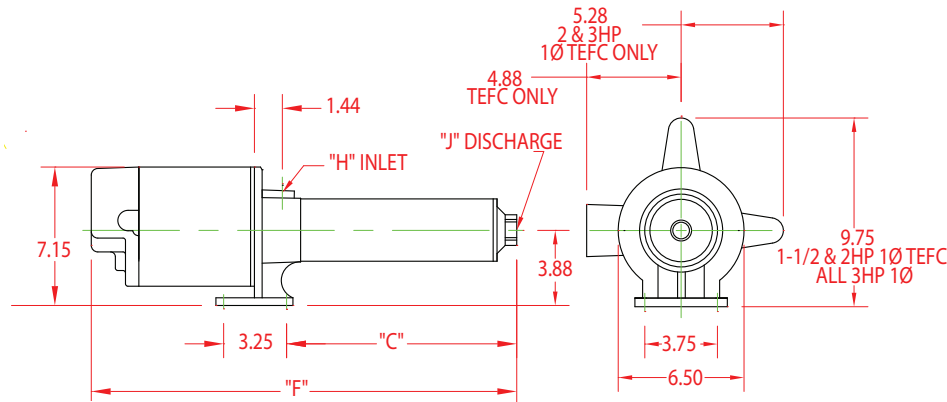


Figure 1

IL0391B

Pump Dimensions 60 Hz							Chart A	
HP	GPM	Stage	"C"	F			H	J
				F&W	TEFC			
					1 Phase	3 Phase		
1/3	5	8	10.19	19.81	-	-	.75	.75
1/3*	5	8	10.19	20.06	22.04	-	.75	.75
1/2	5	12	13.38	23.25	23.23	24.10	.75	.75
1/2*	5	14	14.97	25.34	26.82	25.69	.75	.75
3/4	5	16	16.54	26.91	28.77	27.51	.75	.75
3/4	7	12	13.38	23.75	25.61	24.35	.75	.75
3/4*	7	14	14.97	25.84	27.20	25.94	.75	.75
1	10	14	16.31	27.18	29.16	28.02	.75	.75
1-1/2	10	16	18.13	29.62	31.48	30.07	.75	.75
1*	10	20	21.69	33.18	34.54	33.40	.75	.75
1*	10	22	23.50	34.99	36.35	35.21	.75	.75
1*	10	23	24.38	35.87	37.73	36.09	.75	.75
2	19	14	17.89	29.88	32.12	30.87	.75	.75
1-1/2*	19	20	24.06	36.05	37.41	36.00	.75	.75
2*	19	22	26.13	38.12	40.36	39.11	.75	.75
2	27	11	15.38	27.37	29.61	28.36	1.00	1.00
3	27	14	18.50	30.49	33.85	33.35	1.00	1.00
2*	27	17	21.59	33.58	35.82	34.57	1.00	1.00
3	27	17	21.59	33.74	-	-	1.00	1.00
2	35	6	13.94	25.93	28.17	26.92	1.00	1.00
3	35	8	17.13	29.12	32.48	31.98	1.00	1.00
1-1/2*	35	8	17.13	29.12	30.48	29.07	1.00	1.00
3*	35	14	26.86	38.85	42.21	41.71	1.00	1.00

*50Hz

PERFORMANCE SPECIFICATIONS

PRESSURE ADDED - PSI†					10	20	40	60	80	100	120	140	160	180	200	220	Max. Press. PSI	Suction Pipe Tap NPT	Disch. Pipe Tap NPT		
Stainless Steel Fitted	Powder-Coated Cast Iron Fitted	Cast Iron Fitted	HP	Stage	Output - Gallons per Minute																
60Hz Models																					
PB0508S031 Δ	PB0508C031	PB0508A031	1/3	8	10.2	9.6	8.3	6.5	4.3								96	3/4"	3/4"		
PB0512S051 Δ	PB0512C051	PB0512A051	1/2	12	10.0	9.5	8.3	7.1	6.0	4.0	2.3						132				
PB0516S071 Δ	PB0516C071	PB0516A071	3/4	16	10.2	9.7	9.1	8.3	7.5	6.6	5.8	4.6	3.3				189				
PB0712S071 Δ	PB0712C071	PB0712A071	3/4	12	14.0	13.4	12.2	10.9	9.5	8.9	7.0	4.6					158				
PB1014S101 Δ	PB1014C101	PB1014A101	1	14	*	*	14.5	13.4	12.3	11.2	9.8	8.0	6.0	2.3			183				
PB1016S151 Δ	PB1016C151	PB1016A151	1-1/2	16	*	*	15.0	14.1	13.1	12.1	11.0	9.8	8.2	5.2	2.0		212				
PB1914S201	PB1914C201	PB1914A201	2	14	27.6	27.0	25.7	24.2	22.6	20.8	18.7	16.2	12.9	7.7			190	1"	1"		
PB3506S201	PB3506C201	PB3506A201	2	6	48.0	47.0	42.5	35.2	24.0								85				
PB2711S201	PB2711C201	PB2711A201	2	11	*	*	31.5	29.5	27.1	24.2	20.3	13.0					147				
PB3508S301	PB3508C301	PB3508A301	3	8	48.0	47.5	44.0	40.0	35.2	27.5							118				
PB2714S301 ‡	PB2714C301 ‡	PB2714A301	3	14	*	*	33.0	31.5	29.8	27.9	25.6	22.8	18.9	11.1			187				
PB2717S303A**	-	-	3	17	*	*	*	34.1	32.3	30.5	28.3	25.8	23.1	20.0	16.6	11.4	225				
PB2717S303T**	-	-	3	17	*	*	*	34.1	32.3	30.5	28.3	25.8	23.1	20.0	16.6	11.4	225				
-	-	PB5504A201	2	4	77.6	71.5	52.5										55			2"	2"
-	-	PB5506A301	3	6	77.8	74.4	65.0	51.1	31.9								83				
-	-	PB8504A201	2	4	105.8	90.0	47.0										49				
-	-	PB8505A301	3	5	108.8	98.8	60.0	25.0									60				

† Example: If PB0508A031 pump is connected to supply line of sufficient capacity, carrying water at 40 PSI, and the output of the pump is held to 7.3 GPM by a gate valve, the pump will add 40 PSI to line pressure for a total output pressure of 80 PSI.

* Operation of pump in this range may result in reduced pump life and/or motor damage.

To keep pump and seal lubricated, a minimum flow of 1.5 GPM must always be maintained through the pump.

** Only available in 3 phase

‡ Models marked are also available in 575V, 3 Phase Only.

Motor voltage:

Open Drip Proof

Single Phase 1/3 - 2 HP - 115/230; 3 HP - 230V 60 Hz.

Three Phase 1/2 - 2 HP - 208-230/460, 50/60Hz.

Three Phase 3 HP - 208-230/460, 60 HZ

Three Phase 2 - 3 HP - 575V, 60Hz

For three phase models, use suffix "3" on the model no.

Example: PB0512A053

Totally Enclosed Fan Cooled

Single Phase: 1/2 thru 3 HP - 115/230V 60/50Hz

Three Phase: 1/2 thru 3 HP - 208/230/460V 60/50Hz

Δ Less than 50% US content

Single Phase Motor Data 60HZ							Chart C	
Single Phase† 60 Hz 3450 RPM Capacitor Start								
HP	Motor Voltage	Factory Connected Motor Voltage	Service Factor Motor Amps		Locked Rotor Motor Amps		Code Letter	
			115V	230V	115V	230V		
1/3	115/230	115V	8.6	4.3	26.0	13.0	K	
1/2	115/230	230V	13.0	6.5	36.0	18.0	K	
3/4	115/230	230V	14.0	7.0	52.0	26.0	K	
1	115/230	230V	18.0	9.0	78.0	39.0	L	
1-1/2	115/230	230V	21.0	10.5	98.0	49.0	J	
2	115/230	230V	25.0	12.5	116.0	58.0	H	
3	230	230V	-	13.5	-	53.0	D	

Single Phase Motor Data 50HZ							
Single Phase† 50 Hz 2850 RPM Capacitor Start							
1/2	115/230	115V	10.0	5.0	48.0	24.0	M
3/4	115/230	115V	14.4	7.2	64.0	32.0	L
1	115/230	230V	16.4	8.2	72.0	36.0	K
1-1/2	115/230	230V	23.6	11.8	104.0	52.0	K
2	230	230V	-	13.2	-	55.0	H

† Thermal overload protector - automatic reset

Three Phase Motor Data						Chart D	
Three Phase† 60/50 Hz 3450/2850 RPM Capacitor Start							
HP	Motor Voltage	Factory Connected Motor Voltage	Service Factor Motor Amps		Locked Rotor Motor Amps		Code Letter
			230V	460V	230V	460V	
3/4	208-230/460	230V	3.5	1.75	19.0	9.5	K
1	208-230/460	230V	4.5	2.25	26.9	13.5	K
1-1/2	208-230/460	230V	5.7	2.85	33.5	16.8	K
2	208-230/460	230V	7.4	3.70	44.0	22.0	K
3††	208-230/460	230V	9.8	4.90	48.0	24.0	D

††3 HP, 3 Phase motor operable on 60Hz only.

Material Construction		Chart E	
Component	Standard Models*	Stainless Steel Models	
Motor	Rear access - Nema 56J face	Rear access - Nema 56J face	
Bearings	Ball-ball, permanently lubricated	Ball-ball, permanently lubricated	
Impellers	Noryl with 304 stainless steel bearing insert	Noryl with 304 stainless steel bearing insert	
Diffuser	Noryl	Noryl	
Diffuser plates	Delrin	Delrin	
Pump shaft	304L Stainless steel	304L Stainless steel	
Pump shaft coupling	316 Stainless steel	316 Stainless steel	
Pump shell	304 Stainless steel	304 Stainless steel	
Discharge & inlet casting	Cast iron	304 Stainless steel	
O-Rings	Buna-N	Viton	
Seal composition	Carbon-silicon carbide, stainless steel spring and Buna-N	Carbon-silicon carbide, stainless steel spring and Viton	

*Models with powder coated inlet & discharge also available.

Minimum Wire Size Chart (Gauge)						Chart F		
Motor HP	Volts	Phase	Distance In Feet From Motor To Service Panel					Breaker Size (Amps)
			0-50	50-100	100-150	150-200	200-300	
			Wire Size					
1/3	115/230	1	14/14	14/14	14/14	12/14	12/14	15/15
1/2	115/230	1	12/14	12/14	12/14	12/14	10/14	15/15
3/4	115/230	1	12/14	12/14	10/14	10/12	8/12	15/15
1	115/230	1	10/14	10/14	10/12	8/12	6/10	20/15
1 1/2	115/230	1	10/12	8/12	6/12	*/10	*/10	30/15
2	115/230	1	10/12	8/12	6/12	*/10	*/10	30/15
3	230	1	10	10	10	10	8	20
3/4	230/460	3	14/14	14/14	14/14	14/14	14/14	15/15
1	230/460	3	14/14	14/14	14/14	14/14	12/14	15/15
1 1/2	230/460	3	14/14	14/14	14/14	12/14	12/14	15/15
2	230/460	3	14/14	14/14	14/14	12/14	10/12	15/15
3	230/460	3	14/14	14/14	14/14	12/14	10/12	15/15

1. (*) Not economical to run in 115V, use 230V.

General Safety Information

Carefully read and follow all safety instructions in this manual and on pump. Keep safety labels in good condition. Replace missing or damaged safety labels.



This is a SAFETY ALERT SYMBOL. When you see this symbol on the pump or in the manual, look for one of the following signal words and be alert to the potential for personal injury or property damage.



Warns of hazards that WILL cause serious personal injury, death or major property damage if ignored.



Warns of hazards that CAN cause serious personal injury or death, if ignored.



Warns of hazards that MAY cause minor personal injury, product or property damage if ignored.

IMPORTANT: Indicates factors concerned with operation, installation, assembly or maintenance which could result in damage to the machine or equipment if ignored.

NOTE: Indicates special instructions which are important but are not related to hazards.



Hazardous voltage. Can shock, burn or cause death. Ground pump before connecting to power supply.

Wire motor for correct voltage. See "Electrical" section and Motor Data Charts C&D of this manual, and motor nameplate.

Ground motor before connecting to power supply.

Meet United States National Electrical Code and local codes for all wiring.

Do not handle a pump or pump motor with wet hands or when standing on a wet or damp surface or in water.

Follow wiring instructions in this manual when connecting to power lines.



Always disconnect power source before performing any work on or near the motor or its connected load.



Do not use to pump flammable or explosive fluids such as gasoline, fuel oil, kerosene, etc. Do not use in flammable and/or explosive atmospheres.



Hazardous pressure! Install pressure relief valve in discharge pipe. Release all pressure on system before working on any component.

1. Make workshop child proof - use padlocks, master switches; remove starter keys.
2. Wear safety glasses when working with pumps.
3. Wear a face shield and proper apparel when pumping hazardous chemicals.
4. Keep work area clean, uncluttered and properly lighted; replace all unused tools and equipment.
5. Provide guarding around moving parts.
6. Keep visitors at a safe distance from the work area.
7. Periodically inspect pump and system components.

8. Protect electrical cord. Replace or repair damaged or worn cords immediately.
9. Do not insert finger or any object into pump or motor openings.
10. Secure the discharge line before starting the pump. An unsecured discharge line will whip, possibly causing personal injury and/or property damage or puncture.



Do not touch an operating motor or engine. They are designed to operate at high temperatures.



This product contains chemicals known to the State of California to cause cancer and birth defects or other reproductive harm.



Risk of Electric Shock. This pump has not been investigated for use in swimming pool areas.

NOTE: Pumps with the "CSA-CUS" mark are tested to UL standard UL778 and certified to CSA standard C22.2 No. 108.

Pre-Installation HANDLING

Avoid impact on pump or motor. In particular, avoid impact on discharge end of pump or rear motor access cover.

LOCATION



In any installation where property damage and/or personal injury might result from an inoperative or leaking pump due to power outages, discharge line blockage, or any other reason, a backup system(s) should be used.

1. Locate pump as close to the fluid source as possible, keeping the inlet pipe short as possible.
2. Place unit where the pump and piping are protected from the weather and extremes of heat, humidity and below freezing temperatures.
3. Mount unit in a dry location that is easily accessible for inspection and maintenance. If a dry location is not available, mount it on a foundation well above the wet floor.
4. Allow ample clearance around unit for free air circulation.

SUCTION LIMITATIONS

1. Units are non self-priming.
2. Pressure booster pumps are not recommended for suction lift applications.

PIPING

1. Use galvanized piping, rigid plastic or other suitable pipe that will not collapse under suction or rupture due to pressure.



If hose is used, make sure it is the reinforced industrial type that is rated higher than the shutoff pressure of the system. Ordinary garden hose will collapse and starve the pump of water.

2. The diameter of the inlet and discharge pipe should be no smaller than the corresponding ports of the pump (See Figure 1). Smaller pipe will reduce the capacity of the pump. Increase pipe size on long runs.
3. Avoid air pockets in inlet piping or air will accumulate at high points, making priming difficult.
4. Use pipe compound on all joints and connections. Use Teflon tape or plastic joint stik, on plastic pipe. Draw all pipe up tightly.

IMPORTANT: The entire system must be air and water tight for efficient/proper operation.

Installation
PUMP INSTALLATION

IMPORTANT: Pump is built to handle clear water only; it is not designed to handle water containing sand, silt or other abrasives.

1. Refer to Figures 6, 7, and 8 for typical installations.

CAUTION Support pump and piping when assembling and when installed. Failure to do so may cause piping to break, pump to fail, motor bearing failures, etc.

2. If the pump is used as part of a permanent installation, bolt to a rigid foundation.

WARNING Use only components that are rated for maximum pressure pump can produce when used in boosting system or any other system. Do not exceed the total maximum pressure boost as listed per model in Performance Charts B.

PRESSURE BOOST SYSTEMS

1. On pressure boost systems, locate the pump so that there will always be a positive supply of water to the pump (See Figures 6, 7 and 8).
2. For service convenience, install a gate valve and union in the inlet and discharge line.

CAUTION Do not use a globe valve or other restricting type of valve that will seriously restrict the pumps discharge capacity.

3. Install a check valve as shown in Figure 6. Be sure check valve flow arrows point in the direction of water flow.
4. Whenever dirt, sand or debris is present in the supply water, install a strainer or filter on the inlet side of the pump (See Figure 7).

NOTE: For heavy amounts of sediment, install a trap filter on the inlet side of the pump (See Figure 5).

NOTE: Pressure gauges installed before and after the filter will show pressure differential indicating the need for filter replacement or cleaning.

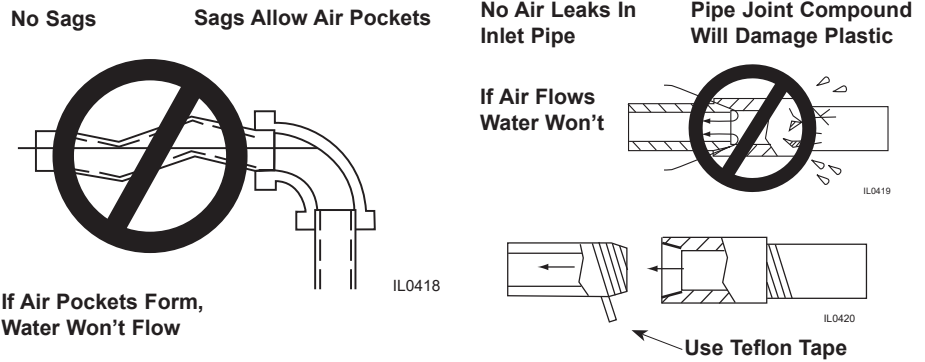


Figure 2 - No Air Pockets in Inlet Pipe

Figure 3 - Inlet Pipe Must Not Leak

CAUTION Mount pump in correct position or pump failure will result.

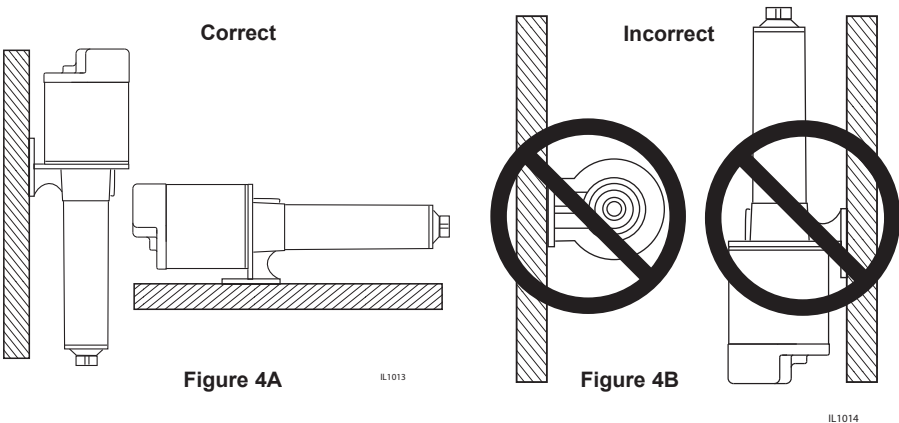


Figure 4A

Figure 4B

SAND AND SEDIMENT TRAP FILTER

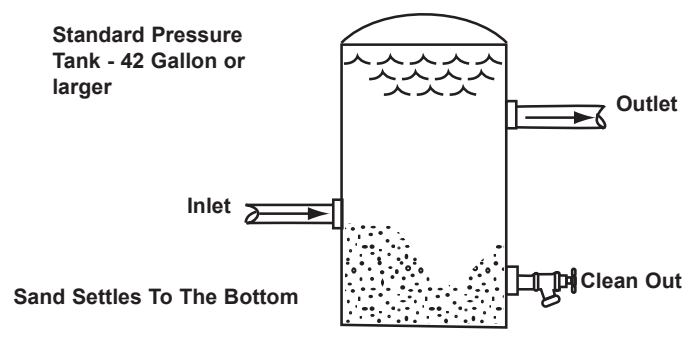


Figure 5
IMPORTANT: Clean all filters and strainers on a regular schedule.

Installation (Continued)

- A pressure gauge installed in the inlet pipe close to the inlet port, (See Figure 6) will show if enough water is being supplied to the pump. See Operation Section - Priming, Pressure Boost Installations.
- On installations that are using nozzles for mist spraying, install a filter in the discharge plumbing to prevent the nozzles from becoming plugged. Multiple filters should be plumbed in parallel.

⚠ WARNING *Install a pressure relief valve on any installation where pump pressure can exceed the pressure tank's maximum working pressure or on systems where the discharge line can be shut off or obstructed. Extreme over pressure can result in personal injury or property damage.*

⚠ CAUTION *This unit is not waterproof and is not intended to be used in showers, saunas or other potentially wet locations. The motor is designed to be used in a clean dry location with access to an adequate supply of cooling air. Ambient temperature around the motor should not exceed 104°F (40°C). For outdoor installations, motor must be protected by a cover that does not block airflow to and around the motor. This unit is not weatherproof nor is it able to be submersed in water or any other liquid.*

⚠ *To avoid dangerous or fatal electrical shock, turn off power to motor before working on electrical connections.*

⚠ *Supply voltage must be within ± 10% of nameplate voltage. Incorrect voltage can cause fire or seriously damage motor and voids warranty. If in doubt, consult a licensed electrician.*

⚠ *Use wire size specified in wiring Chart F. If possible, connect pump to a separate branch circuit with no other appliances on it. If motor wiring diagram differs from diagram shown below, follow diagram on motor.*

Pump used to boost incoming city pressure (automatic operation).

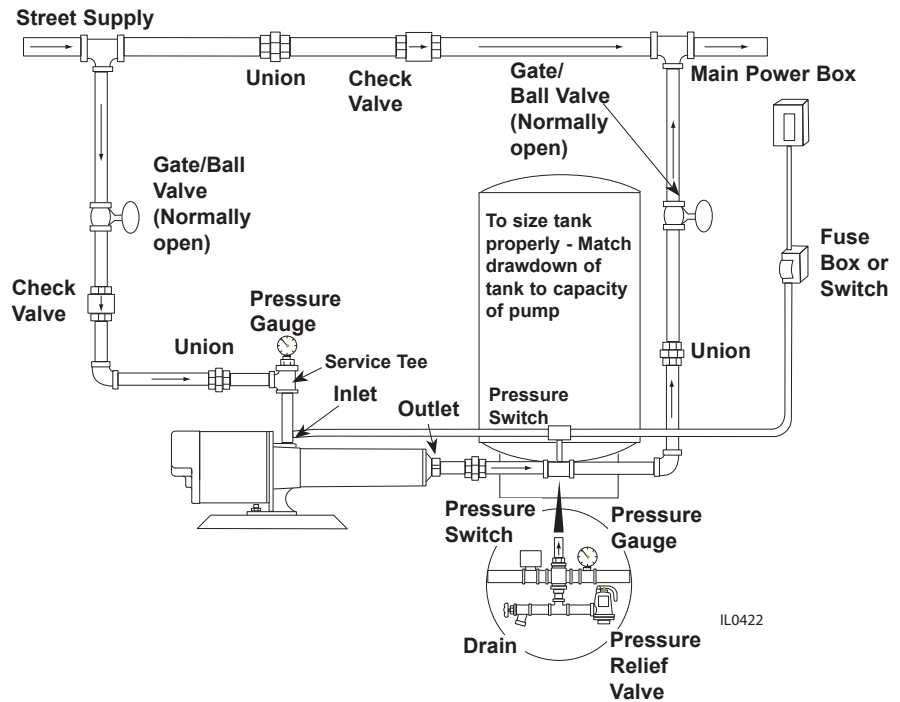


Figure 6

IMPORTANT: A contained air pressure tank and pressure switch is required to keep the pump from rapid cycling and prevent the motor from over heating. Install the tank and switch on the house side of system.

Pump used to boost water pressure in mist spray applications (automatic operation).

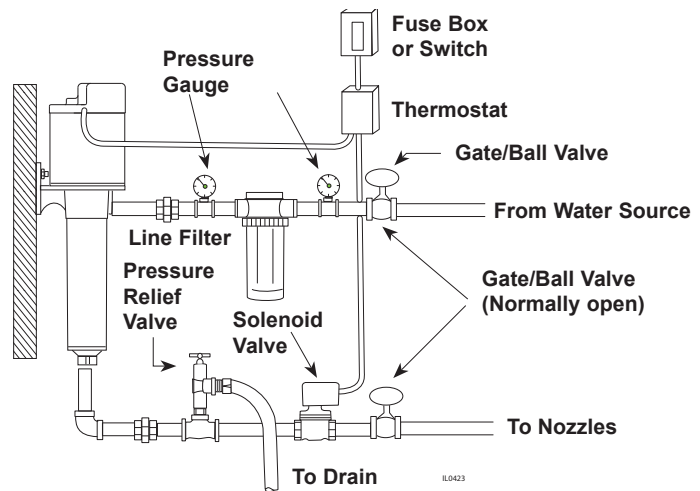


Figure 7

NOTE: Install solenoid valve on discharge side of pump.

IMPORTANT: Clean all filters and strainers on a regular schedule.

Installation (Continued)



- ⚠ *Ground motor before connecting to electrical power supply.*
- ⚠ *Failure to ground motor can cause severe or fatal electrical shock hazard.*
- ⚠ *Do not ground to a gas supply line.*

⚠ CAUTION Proper rotation of pump impeller is critical on three phase motors. See Motor Rotation under Operation section and Figure 16.

WIRING

1. Install, ground, wire and maintain this pump in accordance with your local electrical code and all other codes and ordinances that apply. Consult your local building inspector for local code information.
2. Ground the pump permanently using a wire of size and type specified by local or United States National Electrical Code. Do not ground to a gas supply line.
3. Connect ground wire first. Connect to ground first, then to green grounding terminal provided on the motor frame, identified as GRD. Ground connection MUST be made to this terminal. Do not connect motor to electrical power supply until unit is permanently grounded; otherwise serious or fatal electrical shock hazard may be caused.
4. Connect the other end of the ground wire to a properly grounded service panel or to a control panel ground bar if it is connected to the power supply ground.

IMPORTANT: Check local and/or United States National Electric Codes for proper grounding information.

⚠ CAUTION Make certain that the power supply conforms to the electrical specifications of the motor supplied. See Motor Data Charts.

Pump used to boost incoming pressure from a wall hydrant (manual operation).

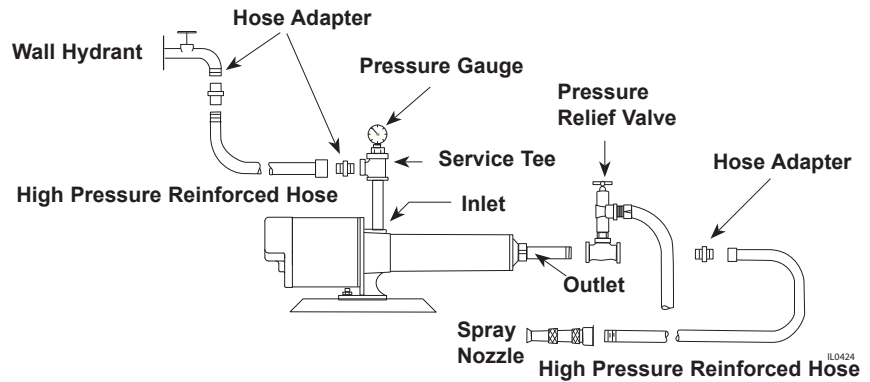
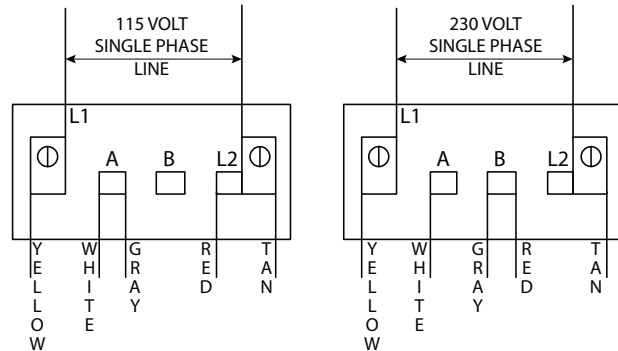
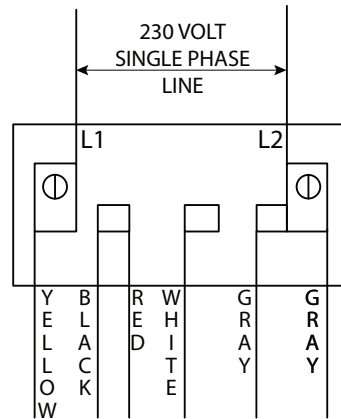


Figure 8



NOTE: Dual voltage motors, change the red and gray wire to the voltage required.

Figure 9 - Wiring Diagram for Single Phase 1/3 - 2 HP Motors



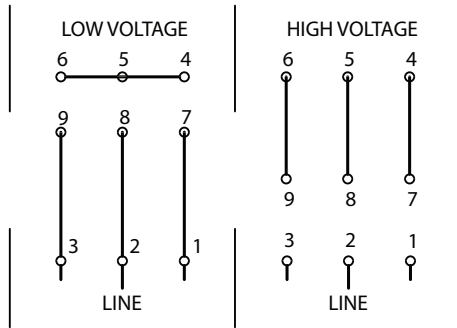
IL1680

NOTE: Single voltage (230V) motor, and can not be connected to 115V.

Figure 10 - Wiring Diagram for Single Phase 3 HP Motors

Installation (Continued)

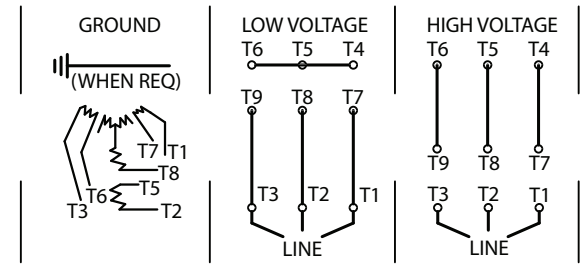
3 Phase



IL1229

Figure 11 - Wiring Diagram for Baldor TEFC 3 Phase motors

3 Phase

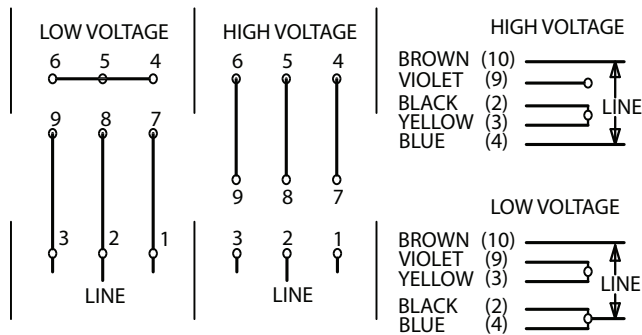


IL1231

Figure 13 - Wiring Diagram for Marathon TEFC 3 Phase motors

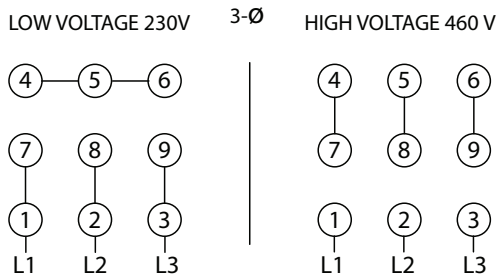
3 Phase

1 Phase



IL1230

Figure 12 - Wiring Diagram for Franklin Electric TEFC 1 Phase and 3 Phase motors



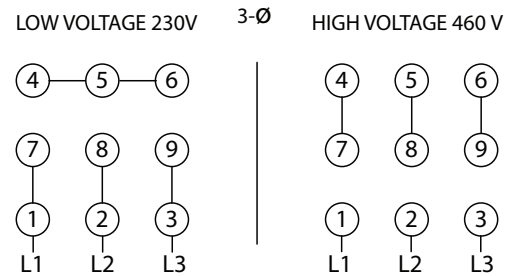
IL0770

- 1 - Blue
- 2 - White
- 3 - Orange
- 4 - Yellow
- 5 - Black
- 6 - Gray
- 7 - Pink
- 8 - Red
- 9 - BRK Red

CONNECTION FOR 3 PHASE, 9 LEADS. IF YOUR 3 PHASE LEADS ARE COLOR CODED, MATCH NUMBER ABOVE TO THE CORRESPONDING COLOR.

NOTE: To reverse rotation, interchange any two incoming lines (Power) leads.

Figure 15 - Wiring Diagram for WEG Three Phase Motors



IL0770

- 1 - Tan
- 2 - Red
- 3 - Orange
- 4 - Yellow
- 5 - Black
- 6 - Blue
- 7 - Purple
- 8 - Gray
- 9 - White

CONNECTION FOR 3 PHASE, 9 LEADS. IF YOUR 3 PHASE LEADS ARE COLOR CODED, MATCH NUMBER ABOVE TO THE CORRESPONDING COLOR.

NOTE: To reverse rotation, interchange any two incoming lines (Power) leads.

Figure 14 - Wiring Diagram for Three Phase Motors

Installation (Continued)

5. Specific Wiring Procedure (Refer to Figures 9, 10, 11, 12, 13, 14, 15 and Minimum Wire Size Chart).
 - a. Select the voltage you are to use, either 115V or 230V single phase, 230V or 460V three phase.
 - b. Please refer to the pump's motor nameplate as product may ship from the factory in either 115V or 230V. Please verify power supply and prewired connections before connecting or starting the pump. Three phase models are factory connected for 230V at the motor.
 - c. If the motor wiring must be changed to conform to your specific voltage requirements then the motor, pressure switch or other controls should be rewired to conform to one of the wiring diagrams (either 115V or 230V, single phase; 230V or 460V, three phase). Single phase 3 HP motors are 230V only and cannot be wired for 115V service.
 - d. The motor wiring diagrams are Figures 9, 10, 11, 12, 13, 14 & 15 and also are located on the motor label of the pump.
6. Remove the rear access cover of the motor.
7. Make the wiring change and replace the rear access cover.

▲ WARNING *Replace rear access cover before starting or operating pump. Failure to do so can result in personal injury.*

IMPORTANT: Do not use an extension cord or splice wires. Joints should be made in an approved junction box. If the above information or the following wiring diagrams are confusing, consult a licensed electrician.

8. All units are not supplied with pressure switches, float devices, on/off switches, or the like (control devices). Controls should be wired in at this time, utilizing whatever instructions come with the controls. All units supplied with cords, will run whenever cord is plugged into power and will turn off whenever cord is disconnected from power.

MOTOR PROTECTION

All single phase motors have built in thermal protection for all voltages. The overload protects the motor against burnout from overload of low voltage, high voltage and other causes. The device is automatic and resets itself once the temperature has dropped to a safe point. Frequent tripping of the device indicates trouble in the motor or power lines and immediate attention is needed.

▲ WARNING *Never examine, make wiring changes or touch the motor before disconnecting the main electrical supply switch. The thermal device may have opened the electrical circuit.*

Three phase motors do not have a built in thermal protection. It is recommended that a properly sized magnetic or manual starter (both with properly sized heaters) be used with all three phase motors. Install starters following instructions of the starter manufacturer. See Motor Rotation under Operation Section for changing rotation on three phase motors.

All motors (single and three phase) should be equipped with a correctly fused disconnect switch to provide protection. Consult local or United States National Electric Codes for proper fuse protection based on motor data chart (See Charts C, D and Wire

chart F).

Operation

▲ CAUTION *Unit must be full of fluid before operating. Do not run dry, or against a closed discharge. Do not pump dirty water or abrasive liquids. To do so will cause pump failure and will void the warranty.*

VALVES

The inlet valve should be in the full open position and the discharge valve should be partially open, permitting some back pressure to be exerted against the pump when starting up. Open valve after start up is completed.

PRIMING

NOTE: Before starting the pump it is absolutely necessary that **both the pump and the inlet pipe be completely filled with water.**

Pressure Boost Installations

Priming is automatic when pump is connected to a pressure source such as a hydrant or city main (See Figures 6, 7 & 8).

1. Open valves or nozzle on inlet and discharge side of pump.
2. To relieve trapped air, allow water supply to run a minimum of 30 seconds before starting the pump.

IMPORTANT: An adequate flow of water going into the pump is required so that the pumps impellers and shaft seal do not run dry and fail.

3. If you installed a pressure gauge at the pump inlet, a reading of 2 psi minimum should show whenever the pump is in operation (See Figures 6, 7 & 8).

This reading insures that there is an ample supply of water into the pump inlet housing.

MOTOR/PUMP ROTATION

1. Single phase models are one (1) rotation only (counterclockwise when facing the pump end) and cannot be reversed.
2. Proper rotation of pump impeller is critical for three phase pumps. Pump motor should turn counterclockwise (CCW) when facing pump end. Momentarily "bump" (apply power for less than a second) the motor to check for proper rotation. To change rotation on three phase units, interchange any two (2) incoming line (power) leads.

▲ CAUTION *Do not go over recommended maximum operating pressure (see Specifications), while maintaining minimum flow of 1.5 GPM thru the pump. Do not restrict the inlet line to the pump.*

If driver (electric motor) is overloaded, a valve can be installed in the discharge line to increase the back pressure and reduce driver loading.

Operation (Continued)

START - UP PROCEDURE

Once the preceding instructions have been completed, the pump can be started.

1. During the first few hours of operation, inspect the pump, piping and any auxiliary equipment used in connection with the unit.
2. Check for leaks, excessive vibration or unusual noises.

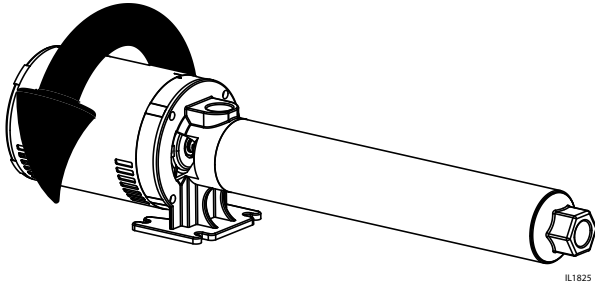


Figure 16 - Correct Motor/Pump Rotation (all units)

NOTE: See rotation arrow on inlet casting.

Maintenance

CAUTION

Disconnect power supply and depressurize system before servicing pump or removing

any component.

ROUTINE

Pump should be checked routinely for proper operation. Replace or clean all filters and line strainers on a regular basis.

DRAINING

This pump cannot be completely drained because of internal design. Most of the liquid can be drained by tilting the discharge forward after removing discharge casting; or, the liquid can be drained through the inlet port. Store in heated areas.

CLEANING

If used for spraying insecticides, pump should be thoroughly flushed with clean water after using.

LUBRICATION

The motor has prelubricated bearings. No lubrication is required.

SERVICING THREE-PHASE UNITS

Loctite (thread sealer) is used on the threads between the motor shaft and the pump shaft coupling. When reassembling, reapply thread sealer.

PUMP DISASSEMBLY

To disassemble the pump, refer to the exploded parts view and Figures 17, 18 & 19

Tools Required:

- Block of wood (2" x 4" x 12")
 - Piece of 3/4" pipe (12" to 24" long)
 - Pipe wrench
 - Strap wrench
 - 1/4" Dowel rod (about 24" long)
 - 9/16" Open end wrench
 - 3/8" Open end wrench
1. To stabilize pump during disassembly, place block of wood underneath pump barrel.
 2. Thread pipe into pump inlet port. This acts as a handle.

3. Using the pipe wrench, remove the discharge head, turning CCW (counter clockwise).
4. With the strap wrench, loosen the barrel, turning CCW (counter clockwise). DO NOT use pipe wrench on pump barrel.
5. Holding the impeller stack in place, position pump in upright position, standing unit on the motor end cover.
6. Use the 1/4" dowel rod to hold the stages down and in place on the pump shaft. Remove pump barrel.
7. Slide the stages off the pump shaft onto the 1/4" dowel rod. Leave stages on rod and carefully set aside.

NOTE: There may be some small .010" shim washers located next to the pump shaft coupling. Keep these shims for re-assembly.

8. Through the side opening of the mounting frame, hold the motor shaft with 9/16" wrench. Remove the shaft and coupling from the motor using the 3/8" wrench on the hex shaped pump shaft.

NOTE: If the hex shaft comes free, leaving the coupling attached to the motor, use vise grips to free the coupling.

MECHANICAL SEAL REPLACEMENT

1. Follow instructions under "Pump Disassembly".
2. Remove the mechanical seal assembly.
 - a. The rotary portion of the seal assembly (carbon ring, Buna-N gasket and spring will slide easily off the end of shaft).
 - b. Using two (2) screwdrivers, pry the ceramic seal and rubber gasket from the recess of the mounting ring (See Figure 17).

CAUTION

The precision lapped faces of the mechanical seal are easily damaged. Handle the replacement seal carefully. Short seal life will result if seal faces (ceramic & carbon) are nicked, scratched or dirty.

3. Clean the seal cavity of the mounting ring and the motor thoroughly.
4. Wet outer edge of rubber cup on ceramic seat with liquid soap solution. Use sparingly (one drop only).

NOTE: Liquid soap solution - one drop of liquid soap combined with one teaspoonful of water.

5. With thumb pressure, press ceramic seal half firmly and squarely into seal cavity. Polished face of ceramic seat is up. If seal will not seat correctly, remove, placing seal face up on bench. Reclean cavity. Seal should now seat correctly (See Figure 18).
6. If seal does not seat correctly after recleaning cavity, place a cardboard washer over polished seal face and carefully press into place using a piece of standard clean 3/4" pipe as a press (See Figure 19).

Maintenance (Continued)

IMPORTANT: Do not scratch seal face.

7. Dispose of cardboard washer and recheck seal face to be sure it is free of dirt, foreign particles, scratches and grease.
8. Inspect shaft to be sure it is free of nicks and scratches.
9. Apply liquid soap solution sparingly (one drop is sufficient) to inside diameter of rubber rotating member.
10. Slide rotating seal member (carbon face down toward ceramic face) and spring over the shaft.

IMPORTANT: Do not nick or scratch carbon face of seal when handling.

MOTOR REPLACEMENT

The motor can be replaced with any standard Nema 56J jet pump motor (of proper HP for each pump) by referring to the following instructions.

1. Follow steps as outlined under Rotary Seal Replacement and Pump Disassembly.
2. Remove cap screws that connect the motor to the mounting ring and pull motor away.
3. Replace motor with standard Nema 56J jet pump motor by positioning motor against the mounting frame and assembling with four (4) cap screws.

IMPORTANT: Because damage to the shaft seal can occur in disassembly, a new seal will be necessary.

PUMP REASSEMBLY

Before reassembling the pump, carefully inspect the component parts of the cartridge (stage) assembly, looking for damage, wear or heat distortion. Pay careful attention to spacing direction of components, and location of shims. Refer to Figure 20 for proper facing and parts arrangement. If damage to Stage components is evident, a complete cartridge assembly or individual stage assemblies are available for replacement (See Replacement Parts List).

1. Reassembly should follow the reverse order of the disassembly procedure with special care given to replacement of the rotary seal.
2. Check top and bottom of o-rings for damage. It is recommended that new o-rings be used.
3. Do not use pipe compound or Teflon tape on barrel threads. The o-rings will prevent pump from leaking.
4. After pump is reassembled, tighten the discharge head to a torque of 45-50 ft/lbs. If torque wrench is not available, tighten firmly but avoid distortion or damage to plastic internal parts.
5. After reassembly, apply power momentarily to unit (15 to 30 seconds). The pump and motor should rotate freely or with a light rubbing.

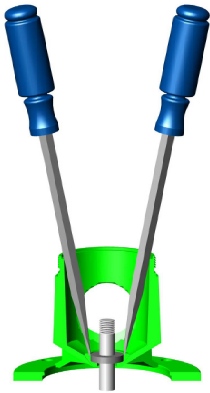


Figure 17 - Remove Mechanical Seal

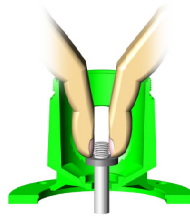
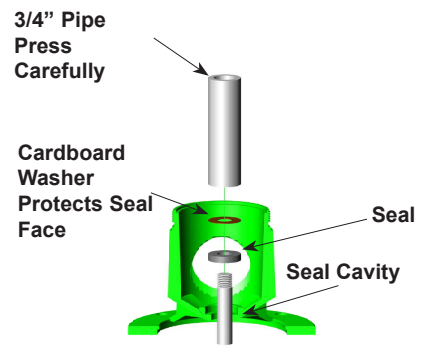


Figure 18 - Press In Seal

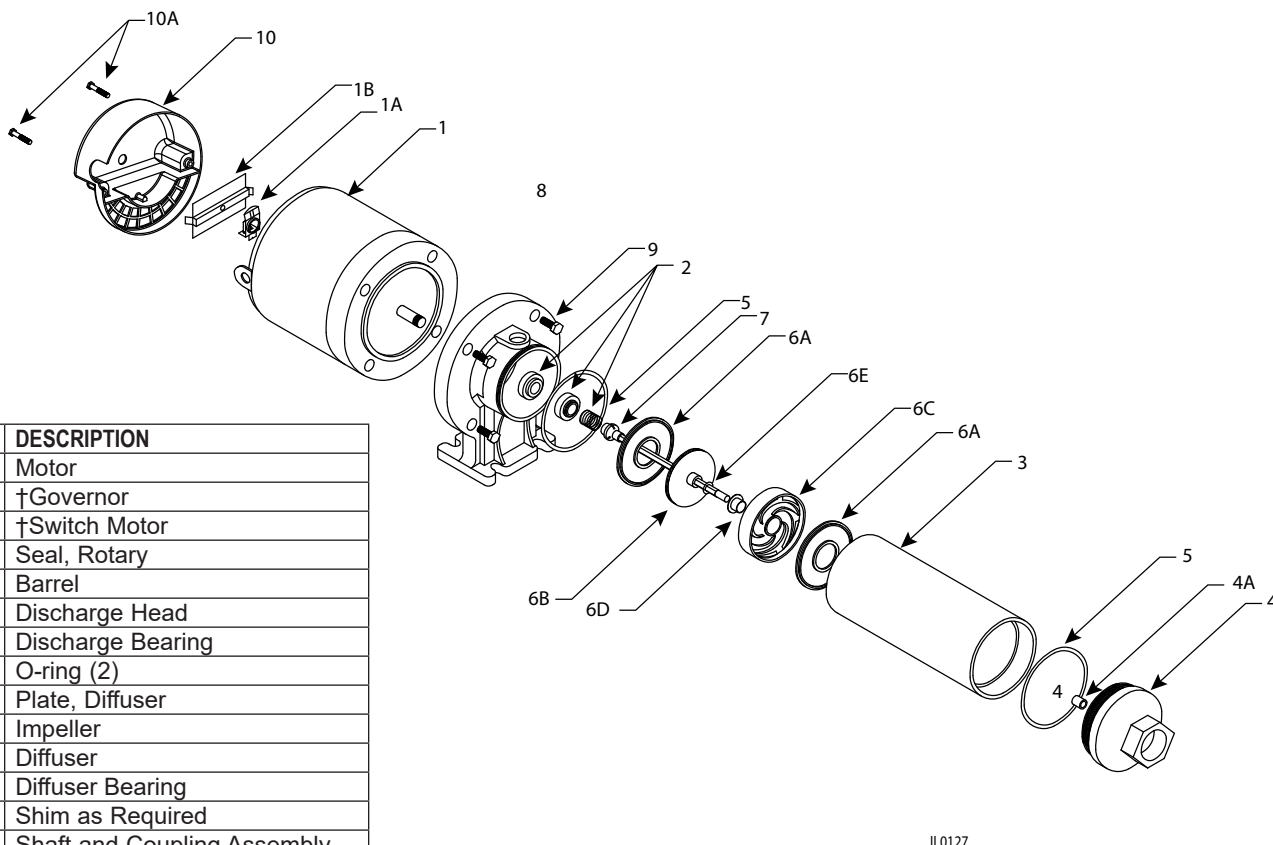


IL0554

Figure 19 - If Necessary, Press With Cardboard And Pipe

Troubleshooting Chart		
Symptom	Possible Cause(s)	Corrective Action
Pump won't start or run at full speed	<ol style="list-style-type: none"> Blown fuse or open circuit breaker Power supply in OFF position Incorrect voltage at motor (check voltage with motor running) Loose, broken or incorrect wiring Defective motor Pump hydraulic components clogged/worn/damaged 	<ol style="list-style-type: none"> Replace fuse or close circuit breaker. See wire size chart for proper break/fuse size Turn power on Low voltage <ol style="list-style-type: none"> Voltage must be within $\pm 10\%$ of motor rated voltage. Check incoming voltage. Contact power company Make certain that voltage of motor matches voltage of power supply. See motor name plate and motor wiring diagrams Check wire size from main switch to pump. See wire size chart for correct wire size Rewire any incorrect circuits. Tighten connections, replace defective wires Replace motor Replace worn parts or entire pump. Clean parts if required
Pump operates, but delivers little or no water	<ol style="list-style-type: none"> Manual or solenoid valves plumbed into system restricting flow In-line filter restricting flow Low line voltage Inadequate water supply to booster pump Undersized piping Leak on inlet side of system Inadequate, defective or plugged foot valve and/or strainer Worn or defective pump parts or pump. Suction lift too great Pump not primed Incorrect rotation, motor running backwards 	<ol style="list-style-type: none"> <ol style="list-style-type: none"> Check all valves on pump inlet and discharge sides of system to be sure they are opened properly to allow flow to and from the pump Bleed trapped air in pump which keeps water from reaching the pump. (Normally due to closed valve in discharge plumbing) Check all in-line filters to be sure they are not plugged or restricted See low line voltage corrective action (above) Check pressure on inlet side of booster to be sure positive pressure is maintained to the booster pump Replace undersized piping Make sure connections are tight. Repair leaks as necessary Clean, repair or replace as needed Replace worn parts or entire plugged impeller Clean parts if Pump should be operated under flooded suction only Prime pump - Make certain inlet pipe is drawn up tight and pump and pipe are full of water Reverse motor rotation can occur on three phase units. To correct, interchange any two incoming power leads.
Excessive noise while pump in	<ol style="list-style-type: none"> Pump not secured to firm foundation Piping not supported Restricted inlet line Cavitation (noise like marbles in pump) Worn motor bearings 	<ol style="list-style-type: none"> Secure properly Make necessary adjustments Clean or correct <ol style="list-style-type: none"> Reduce speed on direct drive Increase inlet pipe size Too viscous (material being pumped too thick) Replace bearings or motor
Pump leaks	<ol style="list-style-type: none"> Worn mechanical seal (leaks at shaft) Worn o-ring seals 	<ol style="list-style-type: none"> Replace shaft (rotary) seal Replace o-ring seals, located inside both ends of the stainless steel shell

Booster Pump Parts Drawing



ITEM NO.	DESCRIPTION
1	Motor
1A	†Governor
1B	†Switch Motor
2	Seal, Rotary
3	Barrel
4	Discharge Head
4A	Discharge Bearing
5	O-ring (2)
6A	Plate, Diffuser
6B	Impeller
6C	Diffuser
6D	Diffuser Bearing
6E	Shim as Required
7	Shaft and Coupling Assembly
8	Mounting Ring
9	Hex Head Bolts (4)
10	†Motor Access Cover
10A	†Screws, Access Cover (2)

Figure 20

IL0127

*See note below parts included in cartridge assembly.
 †ODP Motor Only

Internal Parts Detail

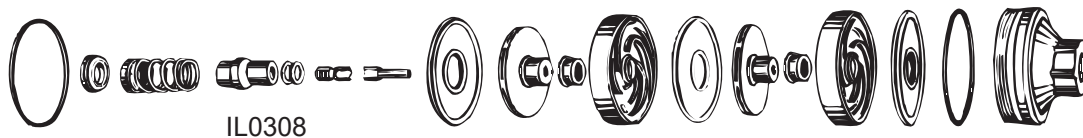
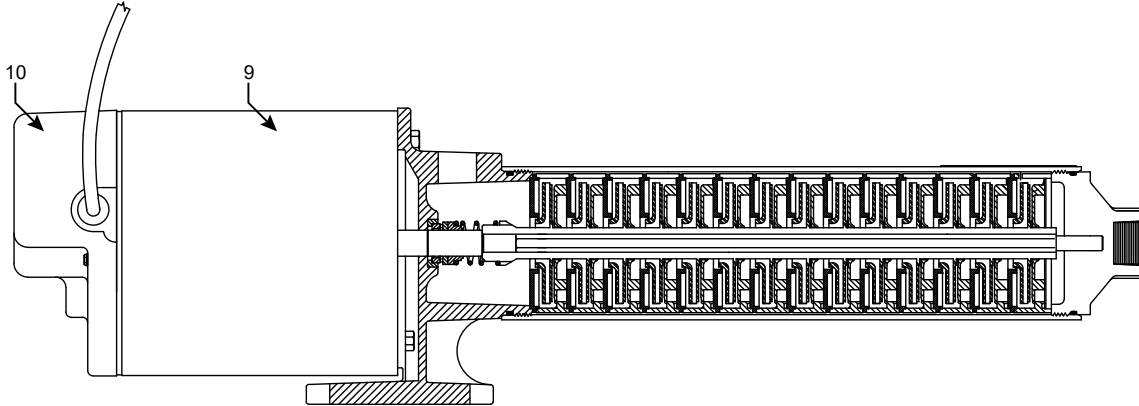


Figure 21 - Cartridge Assembly Includes Discharge Bearing, Shaft & Coupling Assembly, Diffuser Plate, Impellers, Diffuser Bearings, Diffusers and O-rings

NOTE: Illustration shows only two stages. Pump has multiple stages. Individual parts are not available separately.

PRESSURE BOOSTER PUMP REPAIR PARTS
(For Pricing Refer To Repair Parts Price List)
Replacement Motors

FORM NO. FW0045
 1021
 SUPERSEDES
 1020

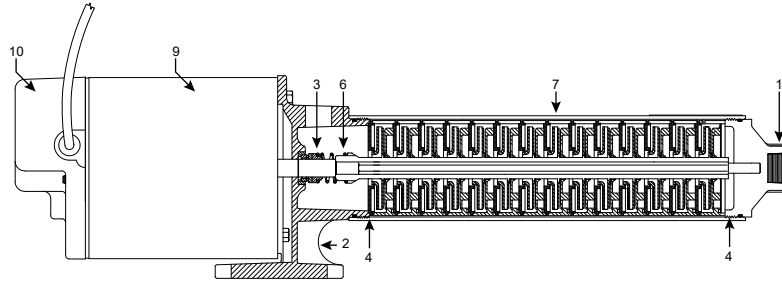


ITEM	REPLACEMENT MOTORS	QTY	CAST IRON	POWDER COATED	STAINLESS STEEL	CAST IRON	POWDER COATED	STAINLESS STEEL
			SINGLE PHASE 60 HZ			THREE PHASE 60 HZ		
9	ODP NEMA J 1/3 HP	1	98J103	98J103	98S103			
	ODP NEMA J 1/2 HP		98J105	98J105	98S105	98J305	98J305	98S305
	ODP NEMA J 3/4 HP		98J107	98J107	98S107	98J307	98J307	98S307
	ODP NEMA J 1 HP		98J110	98J110	98S110	98J310	98J310	98S310
	ODP NEMA J 1-1/2 HP		98J115	98J115	98S115	98J315	98J315	98S315
	ODP NEMA J 2 HP		98J120	98J120	98S120	98J320	98J320	98S320
	ODP NEMA J 3 HP		98J630	98J630	98S630	N/A	N/A	N/A
10	Motor Cover w/Screws	1	023212	023212	023212	023212	023212	023212
*	Screws, Motor Cover	2	021302	021302	021302	021302	021302	021302
			SINGLE PHASE 50 HZ			THREE PHASE 60/50 HZ		
9	ODP NEMA J 1/3 HP	1	98J003	98J003	98S003			
	ODP NEMA J 1/2 HP		98J005	98J005	98S005	98J305	98J305	98S305
	ODP NEMA J 3/4 HP		98J007	98J007	98S007	98J307	98J307	98S307
	ODP NEMA J 1 HP		98J010	98J010	98S010	98J310	98J310	98S310
	ODP NEMA J 1-1/2 HP		98J015	98J015	98S015	98J315	98J315	98S315
	ODP NEMA J 2 HP		98J820	98J820	98S820	98J320	98J320	98S320
	10		Motor Cover w/Screws	1	023212	023212	023212	023212
*	Screws, Motor Cover	2	021302	021302	021302	021302	021302	021302
			SINGLE PHASE 60/50 HZ			THREE PHASE 60/50 HZ		
9	TEFC NEMA J 1/2 HP	1		020691	020691		021011	021011
	TEFC NEMA J 3/4 HP			021008	021008		021012	021012
	TEFC NEMA J 1 HP			021009	021009		020688	020688
	TEFC NEMA J 1-1/2 HP			020692	020692		020647	020647
	TEFC NEMA J 2 HP			020693	020693		020689	020689
	TEFC NEMA J 3 HP			021010	021010		025585	025585

* Not Shown
 N/A - Not available

PRESSURE BOOSTER PUMP REPAIR PARTS

(For Pricing Refer To Repair Parts Price List)



	ITEM	DESCRIPTION	QTY	CAST IRON	POWDER COATED	STAINLESS STEEL	
5 - 7 - 10 - 19 GPM, 60 HZ & 50 HZ	1	Discharge Head 3/4" NPT	1	132000	136905	136640	See replacement motors. ITEMS 9 & 10
	2	Mounting Ring 3/4" NPT	1	132002	136904	136639	
27 - 35 GPM, 60 HZ & 50 HZ	1	Discharge Head 1" NPT	1	136635	137796	139166	
	2	Mounting Ring 1" NPT	1	136634	137794	139100	
55 - 85 GPM, 60 HZ & 50 HZ	1	Discharge Head 2" NPT	1	021585	-	-	
	2	Mounting Ring 2" NPT	1	021584	-	-	
ALL SERIES 60 HZ & 50 HZ	3	Seal, Rotary w/Spring	1	131100 †	131100 †	136682 ‡	
	4	O-Ring	2	131925 ■	131925 ■	136607 ▲	
	*	Hex Head Cap Screws 3/8" x 3/4"	4	121106	121106	121106	

(†) Buna N - Carbon/Silicon Carbide (‡) Viton - Carbon/Silicon Carbide (■) Buna N (▲) Viton (*) Not Shown

60 HZ MODELS	MATERIAL	CAST IRON	PB0508AXXX	PB0512AXXX	PB0516AXXX	PB0712AXXX	PB1014AXXX	PB1016AXXX
		POWDER COATED	PB0508CXXX	PB0512CXXX	PB0516CXXX	PB0712AXXX	PB1014CXXX	PB1016CXXX
		STAINLESS STEEL	PB0508SXXX	PB0512SXXX	PB0516SXXX	PB0712SXXX	PB1014SXXX	PB1016SXXX
ITEM	DESCRIPTION	PART NUMBER						
5	Cartridge Assembly ‡	135163	132939	138447	134097	134998	135814	
6	Shaft & Coupling Assembly	135161	133336	138446	133336	134996	135813	
7	Barrel/Shell	135162	132003	138448	132003	134997	135815	
MATERIAL	CAST IRON	PB1914AXXX	PB2711AXXX	PB2714AXXX		PB3506AXXX	PB3508AXXX	
	POWDER COATED	PB1914CXXX	PB2711CXXX	PB2714CXXX		PB3506CXXX	PB3508CXXX	
	STAINLESS STEEL	PB1914SXXX	PB2711SXXX	PB2714SXXX	PB2717SXXX	PB3506SXXX	PB3508SXXX	
ITEM	DESCRIPTION	PART NUMBER						
5	Cartridge Assembly ‡	137222	135627	136629	020980	136626	136632	
6	Shaft & Coupling Assembly	137221	136624	136628	020916	136625	136631	
7	Barrel/Shell	137223	135628	136630	138947	136627	136633	
MATERIAL	CAST IRON	PB5504XX	PB5506XX	PB8504XX	PB8505XX			
	POWDER COATED							
	STAINLESS STEEL							
ITEM	DESCRIPTION	PART NUMBER						
5	Cartridge Assembly ‡	022293	022294	022295	022296			
6	Shaft & Coupling Assembly	022289	022287	022288	022287			
7	Barrel/Shell	022291	022292	138151	022290			

50 HZ MODELS	MATERIAL	CAST IRON	PB0508XXXX	PB0514XXXX	PB0714XXXX	PB1020XXXX	PB1022XXXX	PB1023XXXX
		POWDER COATED	PB0508ZXXX	PB0514ZXXX	PB0714ZXXX	PB1020ZXXX	PB1022ZXXX	PB1023ZXXX
		STAINLESS STEEL	PB0508YXXX	PB0514YXXX	PB0714YXXX	PB1020YXXX	PB1022YXXX	PB1023YXXX
ITEM	DESCRIPTION	PART NUMBER						
5	Cartridge Assembly ‡	135163	138150	021032	135907	020280	135911	
6	Shaft & Coupling Assembly	135161	138149	138149	135906	020278	135910	
7	Barrel	135162	138151	138151	135098	020094	135912	
MATERIAL	CAST IRON	PB1920XXXX		PB2717XXXX	PB3508XXXX	PB3514XXXXXT		
	POWDER COATED	PB1920ZXXX	PB1922ZXXX	PB2717ZXXX	PB3508ZXXX	PB3514ZXXXXT		
	STAINLESS STEEL	PB1920YXXX		PB2717YXXX	PB3508YXXX	PB3514YXXXXT		
ITEM	DESCRIPTION	PART NUMBER						
5	Cartridge Assembly ‡	020982	139435	020980	136632	021017		
6	Shaft & Coupling Assembly	020093	021425	020916	136631	021015		
7	Barrel	020094	139436	138947	136633	021016		

(‡) Cartridge assembly includes: impellers, diffusers, o-rings and shaft & coupling assembly. Components not available individually. Sold as assembly only.

Instrucciones de funcionamiento y manual de piezas

Por favor lea y guarde estas instrucciones. Lea cuidadosamente antes de tratar de armar, instalar, operar o darle mantenimiento al producto descrito. Protégase usted y a los demás respetando toda la información de seguridad. ¡El incumplimiento de las instrucciones podría resultar en lesiones personales y/o daños materiales! Conserve las instrucciones para referencia futura.

Bombas elevadoras de presión

Descripción

Las bombas elevadoras de presión incrementan la presión del agua de redes de suministro urbanas o de sistemas de agua privados. Las aplicaciones incluyen proporcionar una alta presión para lavar edificios, en operaciones de granjas lecheras para limpiar las paredes o suelos, pocilgas, polleras, equipos para lavado o enfriamiento por rociado, riego de césped y rociado de insecticidas.

Los modelos monofásicos vienen equipados con un motor de arranque por capacitor con protección térmica. Los modelos trifásicos requieren una protección contra sobrecarga separada.

Desempaque

Al desempaquetar la unidad, inspeccione con cuidado para ver si hay algún daño ocurrido durante su transporte

NOTA: Utilice la bomba solo con agua clara.

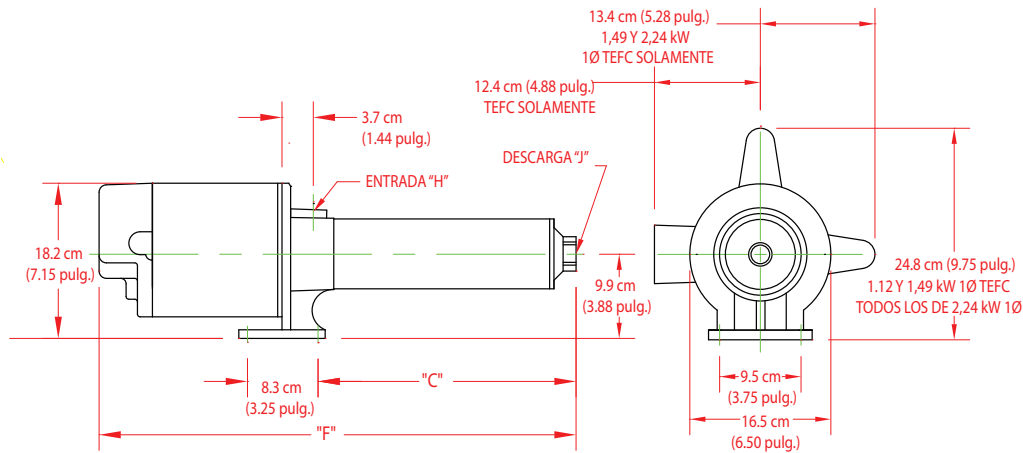


Figura 1

IL0391B

Dimensiones de la bomba 60 Hz					Tabla A			
kW (HP)	M ³ /H (GAL/MIN)	Etapa	"C"	F			H	J
				FLINT & WALLING	TEFC			
					1-F	3-F		
0.25 (1/3)	1 m ³ /hr (5)	8	10.19	19.81	-	-	.75	.75
0.25 (1/3)*	1 m ³ /hr (5)	8	10.19	20.06	22.04	-	.75	.75
0.37 (1/2)	1 m ³ /hr (5)	12	13.38	23.25	23.23	24.10	.75	.75
0.37 (1/2)*	1 m ³ /hr (5)	14	14.97	25.34	26.82	25.69	.75	.75
0.55 (3/4)	1 m ³ /hr (5)	16	16.54	26.91	28.77	27.51	.75	.75
0.55 (3/4)	1.5 m ³ /hr (7)	12	13.38	23.75	25.61	24.35	.75	.75
0.55 (3/4)*	1.5 m ³ /hr (7)	14	14.97	25.84	27.20	25.94	.75	.75
0.75 (1)	2 m ³ /hr (10)	14	16.31	27.18	29.16	28.02	.75	.75
1.1 (1-1/2)	2 m ³ /hr (10)	16	18.13	29.62	31.48	30.07	.75	.75
0.75 (1)*	2 m ³ /hr (10)	20	21.69	33.18	34.54	33.40	.75	.75
0.75 (1)*	2 m ³ /hr (10)	22	23.50	34.99	36.35	35.21	.75	.75
0.75 (1)*	2 m ³ /hr (10)	23	24.38	35.87	37.73	36.09	.75	.75
1.5 (2)	4 m ³ /hr (19)	14	17.89	29.88	32.12	30.87	.75	.75
1.1 (1-1/2)*	4 m ³ /hr (19)	20	24.06	36.05	37.41	36.00	.75	.75
1.5 (2)*	4 m ³ /hr (19)	22	26.13	38.12	40.36	39.11	.75	.75
1.5 (2)	5 m ³ /hr (27)	11	15.38	27.37	29.61	28.36	1.00	1.00
2.2 (3)	5 m ³ /hr (27)	14	18.50	30.49	33.85	33.35	1.00	1.00
1.5 (2)*	5 m ³ /hr (27)	17	21.59	33.58	35.82	34.57	1.00	1.00
2.2 (3)	5 m ³ /hr (27)	17	21.59	33.74	-	-	1.00	1.00
1.5 (2)	7 m ³ /hr (35)	6	13.94	25.93	28.17	26.92	1.00	1.00
2.2 (3)	7 m ³ /hr (35)	8	17.13	29.12	32.48	31.98	1.00	1.00
1.1 (1-1/2)*	7 m ³ /hr (35)	8	17.13	29.12	30.48	29.07	1.00	1.00
2.2 (3)*	7 m ³ /hr (35)	14	26.86	38.85	42.21	41.71	1.00	1.00

*50Hz

PRESIÓN AGREGADA - KPA (PSI)†					10	20	40	60	80	100	120	140	160	180	200	220	Presión máxima KPA (PSI)	Toma de tubería de succión DN (NPT)	Toma de tubería de descarga DN (NPT)
De acero inoxidable	De hierro fundido con recubrimiento epóxico pulverizado	De hierro fundido	kW (HP)	Etapas	Salida – metros cúbicos por hora (galones por minuto)														

Modelos 60 Hz

PB0508S031 Δ	PB0508C031	PB0508A031	1/3	8	10.2	9.6	8.3	6.5	4.3								96	3/4"	3/4"
PB0512S051 Δ	PB0512C051	PB0512A051	1/2	12	10.0	9.5	8.3	7.1	6.0	4.0	2.3						132		
PB0516S071 Δ	PB0516C071	PB0516A071	3/4	16	10.2	9.7	9.1	8.3	7.5	6.6	5.8	4.6	3.3				189		
PB0712S071 Δ	PB0712C071	PB0712A071	3/4	12	14.0	13.4	12.2	10.9	9.5	8.9	7.0	4.6					158		
PB1014S101 Δ	PB1014C101	PB1014A101	1	14	*	*	14.5	13.4	12.3	11.2	9.8	8.0	6.0	2.3			183		
PB1016S151 Δ	PB1016C151	PB1016A151	1-1/2	16	*	*	15.0	14.1	13.1	12.1	11.0	9.8	8.2	5.2	2.0		212		
PB1914S201	PB1914C201	PB1914A201	2	14	27.6	27.0	25.7	24.2	22.6	20.8	18.7	16.2	12.9	7.7			190	1"	1"
PB3506S201	PB3506C201	PB3506A201	2	6	48.0	47.0	42.5	35.2	24.0								85		
PB2711S201	PB2711C201	PB2711A201	2	11	*	*	31.5	29.5	27.1	24.2	20.3	13.0					147		
PB3508S301	PB3508C301	PB3508A301	3	8	48.0	47.5	44.0	40.0	35.2	27.5							118		
PB2714S301 ††	PB2714C301 ††	PB2714A301	3	14	*	*	33.0	31.5	29.8	27.9	25.6	22.8	18.9	11.1			187		
PB2717S303A**	-	-	3	17	*	*	*	34.1	32.3	30.5	28.3	25.8	23.1	20.0	16.6	11.4	225		
PB2717S303T**	-	-	3	17	*	*	*	34.1	32.3	30.5	28.3	25.8	23.1	20.0	16.6	11.4	225	2"	2"
-	-	PB5504A201	2	4	77.6	71.5	52.5										55		
-	-	PB5506A301	3	6	77.8	74.4	65.0	51.1	31.9								83		
-	-	PB8504A201	2	4	105.8	90.0	47.0										49		
-	-	PB8505A301	3	5	108.8	98.8	60.0	25.0									60		

† Ejemplo: si una bomba PB0508A031 está conectada a una línea de suministro de capacidad suficiente, llevando agua a 276 kPa (40 PSI), y la salida de la bomba se mantiene en 1,66 M³/H (7,3 GAL/MIN) por una válvula de paso, la bomba sumará 276 kPa (40 PSI) a la presión de la línea, con una presión de salida total de 552 kPa (80 PSI).

* El funcionamiento de una bomba en este rango puede reducir la vida útil de la bomba y/o causar daños al motor. Para mantener la bomba y el sello lubricado, siempre se debe mantener un flujo mínimo de 0,34 M³/H (1,5 GAL/MIN) en la bomba.

** Solo disponibles en trifásico

†† Los modelos marcados también están disponibles en 575V, Solo trifásico.

<p>Voltaje del motor:</p> <p>A prueba de goteo (ODP)</p> <p>Monofásico 0.25 - 1.49 kW - 115/230; 2.24 kW - 230 V 60 Hz.</p> <p>Trifásico 0.37 - 1.49 kW - 208-230/460, 50/60Hz.</p> <p>Trifásico 2.24 kW - 208-230/460, 60Hz.</p> <p>Trifásico 1.49 kW - 2.24 kW - 575V, 60Hz</p> <p>Para los modelos trifásicos, utilice el sufijo "3" en el no. del modelo</p> <p>Ejemplo: PB0512A053</p>	<p>Totalmente cerrados enfriados por ventilador (TEFC)</p> <p>Monofásicos: de 0,37 a 2,24 kW - 115/230 V 60/50 Hz</p> <p>Trifásicos: de 0,37 a 2,24 kW - 208/230/460 V 60/50 Hz</p>
---	---

Δ Menos del 50% de contenido de EE. UU.

Datos del motor monofásico 60 HZ							Tabla C	
Monofásico † 60 Hz 3450 RPM arranque por capacitor								
kW (HP)	Voltaje del motor	Voltaje del motor conectado en fábrica	Factor de servicio Amperes del Motor		Rotor bloqueado Amperes del motor		Código alfabético	
			115V	230V	115V	230V		
0.25 (1/3)	115/230	115V	8.6	4.3	26.0	13.0	K	
0.37 (1/2)	115/230	230V	13.0	6.5	36.0	18.0	K	
0.55 (3/4)	115/230	230V	14.0	7.0	52.0	26.0	K	
0.75 (1)	115/230	230V	18.0	9.0	78.0	39.0	L	
1.1 (1-1/2)	115/230	230V	21.0	10.5	98.0	49.0	J	
1.5 (2)	115/230	230V	25.0	12.5	116.0	58.0	H	
2.2 (3)	230	230V	-	13.5	-	53.0	D	

Datos del motor monofásico 50HZ							
Monofásico † 50 Hz 2850 RPM arranque por capacitor							
0.37 (1/2)	115/230	115V	10.0	5.0	48.0	24.0	M
0.55 (3/4)	115/230	115V	14.4	7.2	64.0	32.0	L
0.75 (1)	115/230	230V	16.4	8.2	72.0	36.0	K
1.1 (1-1/2)	115/230	230V	23.6	11.8	104.0	52.0	K
1.5 (2)	230	230V	-	13.2	-	55.0	H

† Protector contra sobrecarga térmica - reinicio automático

Datos del motor trifásico					Tabla D		
Trifásico † 60/50 Hz 3450/2850 RPM arranque por capacitor							
KW (HP)	Voltaje del motor	Voltaje del motor conectado en fábrica	Factor de servicio Amperes del Motor		Rotor bloqueado Amperes del motor		Código alfabético
			230V	460V	230V	460V	
0.55 (3/4)	208-230/460	230V	3.5	1.75	19.0	9.5	K
0.75 (1)	208-230/460	230V	4.5	2.25	26.9	13.5	K
1.1 (1-1/2)	208-230/460	230V	5.7	2.85	33.5	16.8	K
1.5 (2)	208-230/460	230V	7.4	3.70	44.0	22.0	K
2.2 (3)††	208-230/460	230V	9.8	4.90	48.0	24.0	D

†† 2.2kW (3HP), motor trifásico operable con 60 Hz solamente.

Construcción de los materiales		Tabla E
Componente	Modelos estándar*	Modelos de acero inoxidable
Motor	Acceso trasero - cara Nema 56J	Acceso trasero - cara Nema 56J
Rodamientos	Bola-bola, lubricación permanente	Bola-bola, lubricación permanente
Impulsores	Noryl con inserto de rodamiento de acero inoxidable 304	Noryl con inserto de rodamiento de acero inoxidable 304
Difusor	Noryl	Noryl
Placas del difusor	Delrin	Delrin
Eje de bomba	Acero inoxidable 304L	Acero inoxidable 304L
Acoplamiento del eje de bomba	Acero inoxidable 316	Acero inoxidable 316
Carcasa de la bomba	Acero inoxidable 304	Acero inoxidable 304
Fundición de descarga y entrada	Hierro fundido	Acero inoxidable 304
Juntas tóricas	Buna-N	Viton
Composición del sello	Carbono-carburo de silicio, resorte de acero inoxidable y Buna-N	Carbono-carburo de silicio, resorte de acero inoxidable y Viton

*También hay modelos disponibles con entrada y descarga con recubrimiento epóxico pulverizado.

Tabla del tamaño mínimo de cables (calibre)					Tabla F			
KW del motor (HP)	Voltios	Fase	Distancia en metros (pies) del motor hasta el panel de servicio					Tamaño del disyuntor (amperios)
			0-15,2 (0-50)	15,2-30,5 (50-100)	30,5-45,7 (100-150)	45,7-70,0 (150-200)	70,0-91,4 (200-300)	
			Tamaño del cable					
0.25 (1/3)	115/230	1	14/14	14/14	14/14	12/14	12/14	15/15
0.37 (1/2)	115/230	1	12/14	12/14	12/14	12/14	10/14	15/15
0.55 (3/4)	115/230	1	12/14	12/14	10/14	10/12	8/12	15/15
0.75 (1)	115/230	1	10/14	10/14	10/12	8/12	6/10	20/15
1.1 (1-1/2)	115/230	1	10/12	8/12	6/12	*/10	*/10	30/15
1.5 (2)	115/230	1	10/12	8/12	6/12	*/10	*/10	30/15
2.2 (3)	230	1	10	10	10	10	8	20
0.55 (3/4)	230/460	3	14/14	14/14	14/14	14/14	14/14	15/15
0.75 (1)	230/460	3	14/14	14/14	14/14	14/14	12/14	15/15
1.1 (1-1/2)	230/460	3	14/14	14/14	14/14	12/14	12/14	15/15
1.5 (2)	230/460	3	14/14	14/14	14/14	12/14	10/12	15/15
2.2 (3)	230/460	3	14/14	14/14	14/14	12/14	10/12	15/15

1. (*) No económico para operar en 115 V, utilizar 230 V.

Información general de seguridad

Lea y cumpla cuidadosamente todas las instrucciones de seguridad en este manual y en la bomba. Mantenga las etiquetas de seguridad en buenas condiciones. Reemplace las etiquetas de seguridad faltantes o dañadas.



Este símbolo significa una ALERTA DE SEGURIDAD. Al ver este símbolo en la bomba o el manual, busque una de las siguientes palabras de advertencia y póngase sobre aviso de posibles lesiones personales o daños materiales.

PELIGRO

Advierte de peligros que OCASIONARÁN graves lesiones personales, la muerte o daños materiales importantes si se ignoran.

ADVERTENCIA

Advierte de peligros que PUEDEN ocasionar lesiones personales serias o la muerte si se ignoran.

PRECAUCIÓN

Advierte de peligros que PODRÍAN ocasionar lesiones personales o daños materiales si se ignoran.

IMPORTANTE: Indica factores relacionados con el funcionamiento, instalación, montaje o mantenimiento que podrían resultar en daños a la máquina o al equipo si se ignoran.

NOTA: Indica instrucciones especiales que son importantes pero que no están relacionadas con peligros.

ADVERTENCIA



Voltaje peligroso. Puede provocar descargas, quemaduras o la muerte. Conecte la bomba a tierra antes de conectarla a una fuente de alimentación.



Utilice cables del voltaje correcto para el motor. Vea la sección "Electricidad" y las tablas C y D de Datos del motor de este manual y la placa de datos del motor.



Conecte el motor a tierra antes de conectarlo a una fuente de alimentación.



Cumpla con el Código Eléctrico Nacional de los Estados Unidos y los códigos locales para todo el cableado.



No manipule la bomba o el motor de la bomba con las manos mojadas o cuando esté parado sobre una superficie mojada, húmeda o con agua.



Siga las instrucciones de cableado en este manual cuando conecte a las líneas eléctricas.

ADVERTENCIA

Desconecte siempre la fuente de alimentación antes de realizar cualquier trabajo en o cerca del motor o su carga conectada.



No la utilice para bombear líquidos inflamables o explosivos, tales como gasolina, fueloil, queroseno, etc. No la utilice en atmósferas inflamables y/o explosivas.



¡Presión peligrosa! Instale una válvula de descarga de presión en la tubería de descarga. Libere toda la presión del sistema antes de trabajar en cualquier componente.

Haga que el taller sea a prueba de niños: utilice candados, interruptores maestros, retire las llaves de encendido.

1. Use gafas de seguridad cuando trabaje con bombas.
2. Use una pantalla facial y ropa adecuada al bombear productos químicos peligrosos.
3. Mantenga el área de trabajo limpia, despejada y debidamente iluminada, coloque todas las herramientas y equipos sin utilizar en su lugar.
4. Proporcione protección alrededor de piezas en movimiento.
5. Mantenga los visitantes a una distancia segura del área de trabajo.
6. Inspeccione periódicamente la bomba y los componentes del sistema.

7. Proteja el cable eléctrico. Cambie o repare inmediatamente los cables dañados o desgastados.
8. No introduzca los dedos o cualquier objeto en las aberturas de la bomba o el motor.
9. Asegure la línea de descarga antes de arrancar la bomba. Una línea de descarga que no esté asegurada puede moverse y posiblemente causar lesiones personales y/o daños materiales o perforaciones.

PRECAUCIÓN

No toque un motor en funcionamiento. Están diseñados para funcionar a altas temperaturas.

ADVERTENCIA

Este producto contiene productos químicos de los que el estado de California tiene conocimiento de que provocan cáncer, malformaciones congénitas u otros daños al sistema reproductor.

ADVERTENCIA

Riesgo de descarga eléctrica. El uso de estas bombas en piscinas no ha sido investigado.

NOTA: las bombas con la marca "CSA-CUS" son ensayadas conforme a la norma UL778 de UL y certificadas conforme a la norma C22.2 No. 108 de CSA.

Instalación previa

MANEJO

Evite impactos a la bomba o al motor. En particular, evite impactos en el extremo de descarga de la bomba o la cubierta trasera de acceso al motor.

UBICACIÓN

ADVERTENCIA

En cualquier instalación que podría resultar en daños materiales y/o lesiones personales causados por bombas que no funcionen o que tengan fugas debido a cortes de energía, bloqueo de la línea de descarga o cualquier otra razón, se deben utilizar uno o varios sistemas de respaldo.

1. Coloque la bomba tan cerca de la fuente de líquido como sea posible, manteniendo el tubo de entrada tan corto como sea posible.
2. Coloque la unidad donde la bomba y las tuberías estén protegidas del clima y calor extremo, humedad y temperaturas bajo cero.
3. Instale la unidad en un lugar seco que sea de fácil acceso para su inspección y mantenimiento. Si no hay un lugar seco disponible, móntela sobre una base bastante por encima del suelo mojado.
4. Deje suficiente espacio libre alrededor de la unidad para la libre circulación del aire.

LIMITACIONES DE SUCCIÓN

1. Las unidades no son autocebantes.
2. Las bombas elevadoras de presión no son recomendadas para aplicaciones de extracción de agua.

TUBERÍA

1. Use tuberías galvanizadas, de plástico rígido u otros tubos adecuados que no se colapsen bajo succión o rotura debido a la presión.

PRECAUCIÓN

Si se utiliza una manguera, asegúrese de que sea reforzada de tipo industrial y que tenga una clasificación más alta que la presión de apagado del sistema. Una manguera ordinaria de jardín se colapsará y no suministrará suficiente agua a la bomba.

2. El diámetro de las tuberías de entrada y de descarga no debe ser menor que los puertos correspondientes de la bomba (vea la Figura 1). Una tubería más pequeña

reducirá la capacidad de la bomba. Aumente el tamaño de la tubería en tendidos largos.

3. Evite las bolsas de aire en la tubería de entrada o se acumulará aire en los puntos altos, dificultando el cebado
4. Use compuesto para tubos en todas las uniones y conexiones. Utilice cinta de teflón o un adhesivo para juntas de plástico en las tuberías de plástico. Junte todas las tuberías de forma estanca.

IMPORTANTE: es necesario hacer todo el sistema a prueba de aire y agua para lograr un funcionamiento eficiente y correcto.

Instalación

INSTALACIÓN DE LA BOMBA

IMPORTANTE: La bomba fue diseñada para uso con agua limpia solamente y no con agua que contenga arena, lodo u otros abrasivos.

1. Refiérase a las Figuras 6, 7 y 8 para ver instalaciones típicas.

PRECAUCIÓN Apoye la bomba y las tuberías durante el ensamblaje y una vez que estén instaladas. El no hacerlo podría causar la ruptura de las tuberías, averías en la bomba o en los rodamientos del motor, etc.

2. Si se usa la bomba como parte de una instalación permanente, fíjela con pernos a una base rígida.

ADVERTENCIA Solo utilice componentes con capacidad nominal para la presión máxima que la bomba pueda producir cuando sea usada en un sistema elevador o en cualquier otro sistema. Nunca exceda la presión máxima como se indica para cada modelo en las Tablas de Rendimiento B.

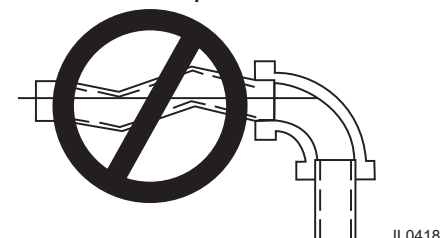
SISTEMAS ELEVADORES DE PRESIÓN

1. En sistemas elevadores de presión, sitúe la bomba de tal manera que siempre haya un suministro positivo de agua hacia la bomba (vea las Figuras 6, 7 y 8).
2. Para mayor comodidad para el mantenimiento, instale una válvula de paso y una unión en la línea de entrada y de descarga.

PRECAUCIÓN No use una válvula de globo u otro tipo de válvula restrictora, lo cual limitará seriamente la capacidad de descarga de la bomba.

3. Instale una válvula de retención como aparece en la Figura 6. Verifique que las flechas indicadoras de flujo en la válvula de retención apunten en la dirección del flujo de agua.

Sin hundimientos Los hundimientos permiten bolsas de aire

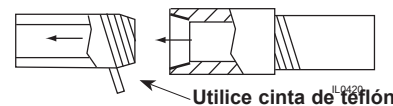
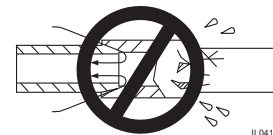


Si se forman bolsas de aire, No habrá flujo de agua

Figura 2 - Tubería de entrada sin bolsas de aire

No hay fugas de aire en la tubería de entrada Un compuesto para juntas de tuberías dañará el plástico

Si hay flujo de aire el agua no correrá



Utilice cinta de teflón

Figura 3 - La tubería de entrada no debe tener fugas

PRECAUCIÓN Monte la bomba en una posición correcta o se producirá una avería en la bomba

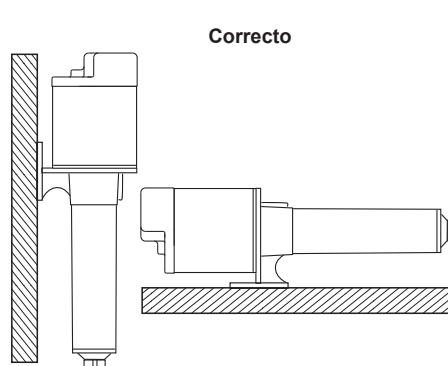


Figura 4A

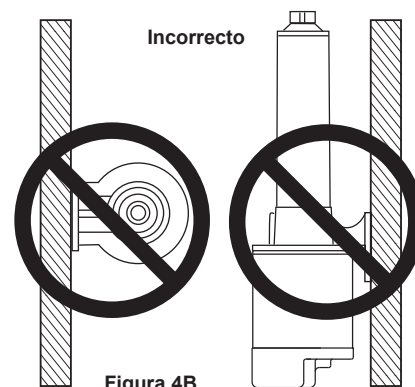


Figura 4B

FILTRO DE TRAMPA PARA ARENA Y SEDIMENTOS

Tanque de presión estándar - 159 litros (42 galones) o mayor

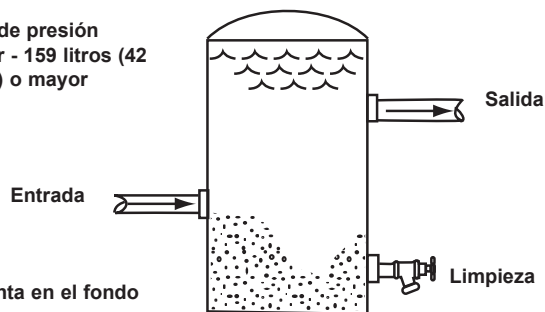


Figura 5

IMPORTANTE: Limpie todos los filtros y coladores regularmente.

4. Cuando haya suciedad, arena o tierra presentes en el agua de suministro, instale un colador o filtro en el lado de entrada de la bomba (vea la Figura 7).
- NOTA:** Para grandes cantidades de sedimento, instale un filtro interceptor en el lado de entrada de la bomba (vea la Figura 5).
- NOTA:** Los manómetros instalados antes y después del filtro mostrarán una diferencia en presión indicando la necesidad de sustitución o limpieza del filtro.

Instalación (continuación)

1. La instalación de un manómetro en el tubo de entrada cerca del puerto de entrada (vea la Figura 6) indicará si hay un suministro adecuado de agua a la bomba. Vea la sección Funcionamiento - Cebado, Instalaciones elevadoras de presión
2. En las instalaciones que usan boquillas para aspersión por nebulización, instale un filtro en el tubo de descarga para evitar la obstrucción de las boquillas. Es necesario plomear los filtros múltiples en paralelo

ADVERTENCIA Instale una válvula de alivio de presión en cualquier instalación donde la presión de la bomba pueda exceder la presión máxima de trabajo del tanque de presión o en sistemas donde la línea de descarga pueda estar cerrada u obstruida. Una presión extrema puede redundar en daños personales o materiales.

PRECAUCIÓN Esta unidad no es impermeable y no fue diseñada para uso en duchas, saunas u otros lugares potencialmente húmedos. El motor fue diseñado para uso en un lugar limpio y seco con un buen acceso a un suministro de aire de enfriamiento. La temperatura ambiente alrededor del motor no debería exceder los 40 °C (104 °F) Para instalaciones al aire libre, es necesario proteger el motor con una cubierta que no bloquee el flujo de aire al y alrededor del motor. Esta unidad no es a prueba de intemperie y no puede estar sumergida en agua o en otro líquido.

! Para evitar descargas eléctricas peligrosas o mortales, apague el motor antes de trabajar en conexiones eléctricas.

! El voltaje de suministro debe estar dentro de $\pm 10\%$ del voltaje nominal del motor. Un voltaje incorrecto podría causar un incendio o resultar en daños serios al motor, anulando la garantía. En caso de duda, consulte a un electricista certificado.

! Use el tamaño correcto de cable especificado en la Tabla F de cableado. Si es posible, conecte la bomba a un circuito derivado separado que no tenga otros aparatos eléctricos conectados. Si el diagrama de cableado del motor es diferente del diagrama mostrado abajo, siga el diagrama en el motor.

Bomba empleada para elevar la presión urbana de entrada (funcionamiento automático).

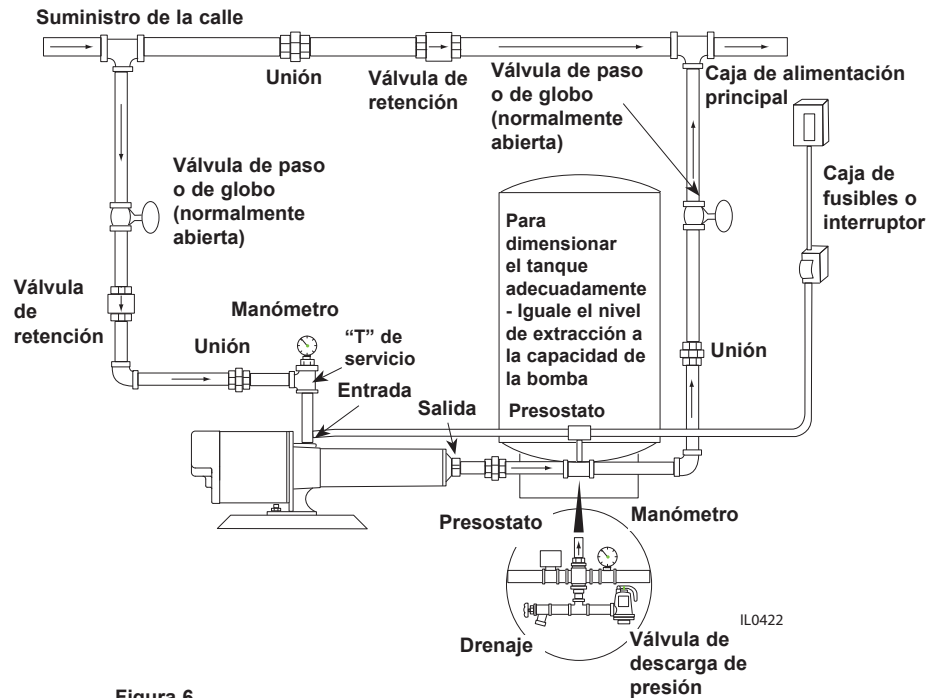


Figura 6

IMPORTANTE: Se requieren un tanque de presión con aire contenido y un presostato para evitar una rápida conmutación cíclica de la bomba y para prevenir que el motor se sobrecaliente. Instale el tanque y el presostato en el lado de la casa del sistema.

Bomba usada para elevar la presión de agua en aplicaciones de aspersión por nebulización (funcionamiento automático).

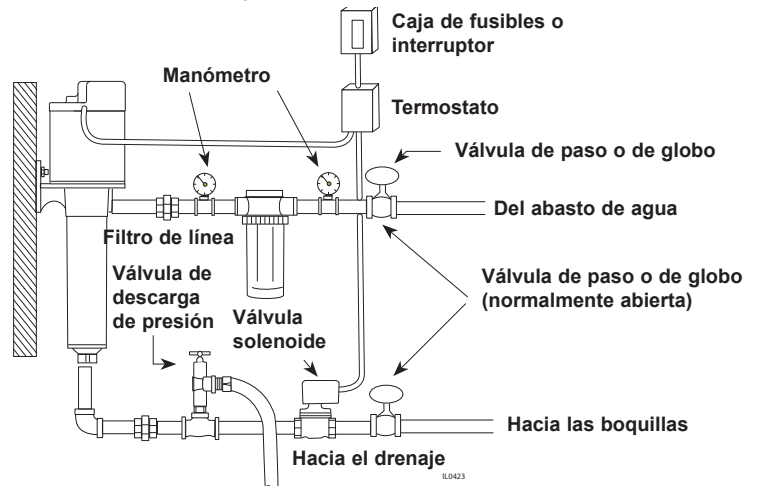


Figura 7

NOTA: Instale una válvula de solenoide en el lado de descarga de la bomba.
IMPORTANTE: Limpie todos los filtros y coladores regularmente.

Instalación (continuación)

⚠️ ADVERTENCIA



Voltaje peligroso. Puede provocar descargas, quemaduras o la muerte. Conecte la bomba a tierra antes de conectarla a una fuente de alimentación.

- ⚠️ **Conecte el motor a tierra antes de conectarlo a una fuente de alimentación eléctrica.**
- ⚠️ **No conectar el motor a tierra puede causar una descarga eléctrica grave o mortal.**
- ⚠️ **No conecte a tierra en una línea de suministro de gas.**

⚠️ PRECAUCIÓN La rotación correcta del impulsor de la bomba es primordial en motores trifásicos. Vea Rotación del motor en la sección Funcionamiento y en la Figura 16.

CABLEADO

1. Instale, conecte a tierra, coloque los cables y mantenga esta bomba de acuerdo con su código eléctrico local y todos los otros códigos y reglamentos aplicables. Consulte con su inspector local de construcción para obtener información sobre códigos locales.
2. Conecte la bomba a tierra de forma permanente usando un cable del tamaño y tipo especificado por el Código Eléctrico Nacional de los Estados Unidos o local. **No conecte a tierra en una línea de suministro de gas.**
3. Primero haga la conexión a tierra. Conecte primero a tierra y después al terminal verde de tierra proporcionado en el bastidor del motor identificado como GRD. Se DEBE hacer una conexión a tierra para este terminal. No conecte el motor al suministro de energía eléctrica hasta que la unidad esté permanentemente conectada a tierra; de lo contrario puede redundar en una descarga eléctrica seria o mortal.
4. Conecte el otro extremo del cable a tierra a un panel de servicio con una conexión correcta a tierra o a una barra de tierra del panel de control si está conectada a la conexión a tierra de la fuente de alimentación.

IMPORTANTE: Verifique los códigos eléctricos locales o nacionales para obtener información acerca de cómo hacer una conexión a tierra.

⚠️ PRECAUCIÓN Asegúrese de que el suministro de energía cumpla con las especificaciones eléctricas del motor proporcionado. Vea las tablas de Datos del motor.

Bomba usada para elevar la presión de entrada de un hidrante de pared (funcionamiento manual).

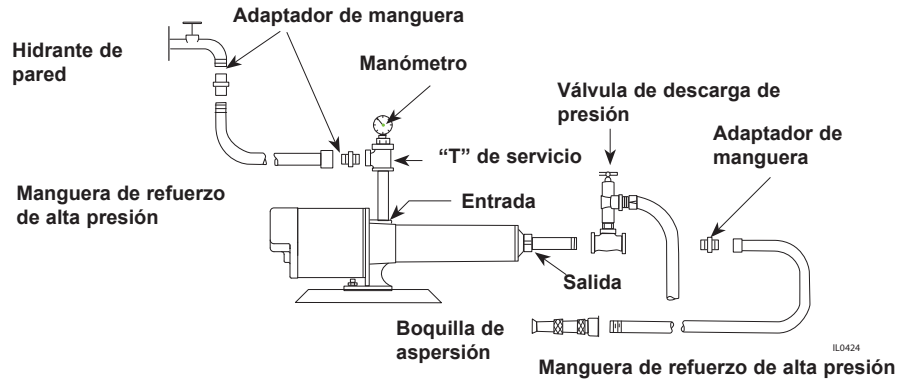
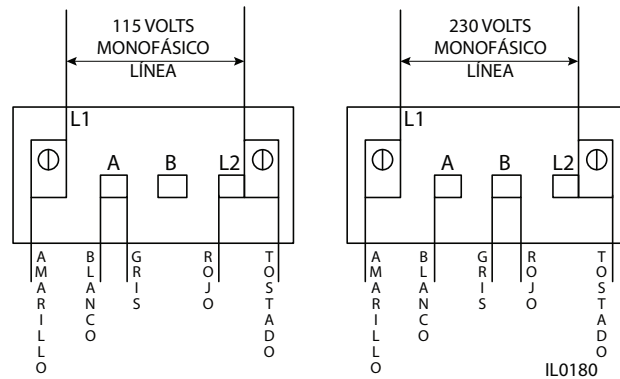
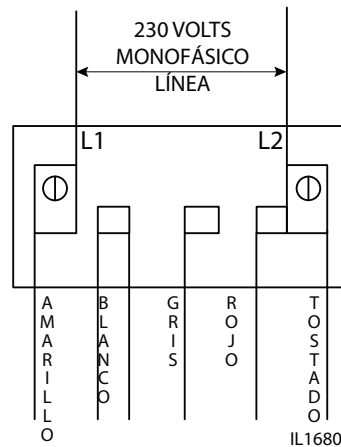


Figura 8



NOTA: Motores de doble voltaje, cambie el cable rojo y gris para el voltaje requerido.

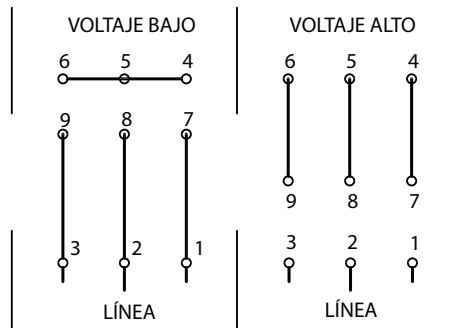
Figura 9 - Diagrama de cableado para motores monofásicos de 0,25 - 1,49 kW



NOTA: Motor de un solo voltaje (230 V) y no se puede conectar a 115 V.

Figura 10 - Diagrama de cableado para motores monofásicos de 2,24 kW

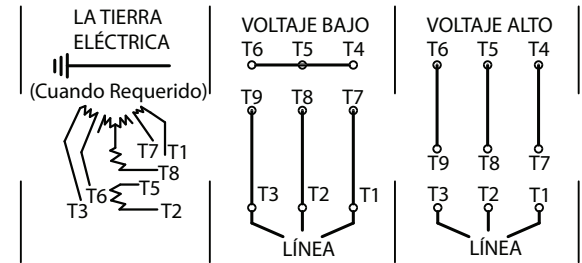
TRIFÁSICO



IL1229

Figura 11 - Diagrama de cableado para motores trifásicos Baldor TEFC

TRIFÁSICO

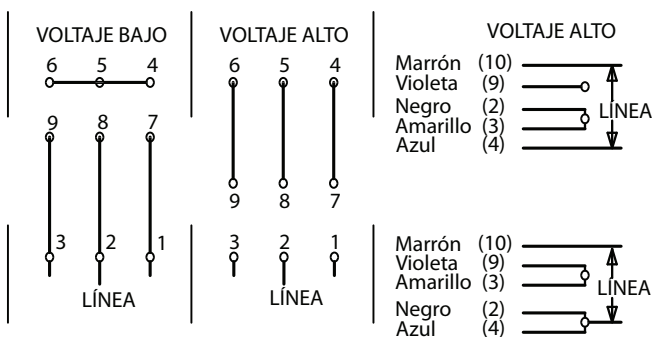


IL1231

Figura 13 - Diagrama de cableado para motores trifásicos Marathon TEFC

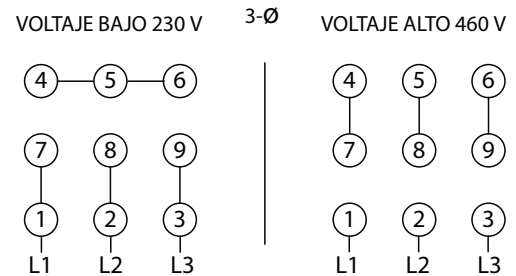
TRIFÁSICO

MONOFÁSICO



IL1230

Figura 12 - Diagrama de cableado para motores monofásicos y trifásicos Franklin Electric TEFC

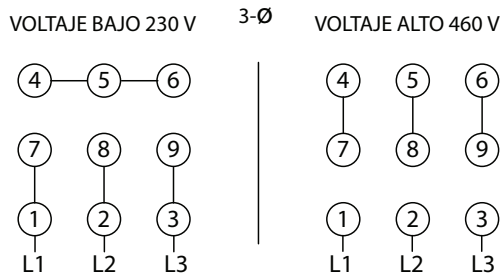


IL0770

- | | | |
|------------------|--------------|------------|
| 1 - Marrón claro | 4 - Amarillo | 7 - Morado |
| 2 - Rojo | 5 - Negro | 8 - Gris |
| 3 - Anaranjado | 6 - Azul | 9 - Blanco |

CONEXIÓN PARA TRIFÁSICOS, 9 CABLES. SI SUS CABLES TRIFÁSICOS TIENEN CÓDIGO DE COLORES, EMPAREJE EL NÚMERO DE ARRIBA CON EL COLOR CORRESPONDIENTE. **NOTA:** Para invertir la rotación, intercambie cualquiera de los dos cables de alimentación entrantes.

Figura 14 - Diagrama de cableado para motores trifásicos



IL0770

- | | | |
|----------------|--------------|--------------|
| 1 - Azul | 4 - Amarillo | 7 - Rosa |
| 2 - Blanco | 5 - Negro | 8 - Rojo |
| 3 - Anaranjado | 6 - Gris | 9 - BRK Rojo |

CONEXIÓN PARA TRIFÁSICOS, 9 CABLES. SI SUS CABLES TRIFÁSICOS TIENEN CÓDIGO DE COLORES, EMPAREJE EL NÚMERO DE ARRIBA CON EL COLOR CORRESPONDIENTE. **NOTA:** Para invertir la rotación, intercambie cualquiera de los dos cables de alimentación entrantes.

Figura 15 - Diagrama de cableado para motores trifásicos de WEG

Instalación (continuación)

1. Procedimiento específico para el cableado (consulte las Figuras 9, 10, 11, 12, 13, 14, 15 y la Tabla del tamaño mínimo de cables). 13, 14 and Minimum Wire Size Chart).
 - a. Seleccione el voltaje a ser usado, ya sea 115 V o 230 V en monofásicos, 230 V o 460 V en trifásicos.
 - b. Consulte la placa de identificación del motor de la bomba, ya que el producto puede enviarse desde la fábrica en 115 V o 230 V. Verifique el suministro de energía y las conexiones precableadas antes de conectar o encender la bomba. Los modelos trifásicos vienen conectados de fábrica para 230 V en el motor.
 - c. Si fuera necesario modificar el cableado del motor para ajustarse a sus requisitos específicos de voltaje, entonces se deberían volver a cablear el motor, el presostato u otros controles para ajustarse a uno de los diagramas de cableado (tal como 115 V o 230 V para monofásicos, o 230 V o 460 V para trifásicos). Los motores monofásicos de 2,24 kW son solamente de 230 V y no pueden ser cableados para un servicio de 115 V
 - d. Los diagramas de cableado del motor están en las Figuras 9, 10, 11, 12, 13, 14 y 15 y también están ubicados en la etiqueta del motor de la bomba
2. Quite la tapa de acceso trasero del motor.
3. Haga el cambio del cableado y vuelva a poner la tapa de acceso trasero

⚠ ADVERTENCIA *Vuelva a poner la tapa de acceso trasero antes de arrancar o poner la bomba en funcionamiento. No hacerlo puede redundar en daños personales o materiales.*

IMPORTANTE: No use ningún cable de extensión o cables empalmados. Las uniones deberían hacerse en una caja de conexión aprobada. Si la información anterior o los diagramas de cableado siguientes son confusos, consulte a un electricista con licencia.

4. No todas las unidades vienen con presostatos, dispositivos flotadores, interruptores de encendido/apagado o dispositivos semejantes (dispositivos de control). Es necesario cablear los controles en este momento utilizando cualquier instrucción que venga con los mismos. Todas las unidades que vienen con cables funcionarán siempre que el cable esté enchufado en la alimentación y se apagarán una vez que se desconecte el cable de la alimentación.

PROTECCIÓN DEL MOTOR

Todos los motores monofásicos tienen una protección térmica integrada para todos los voltajes. La sobrecarga protege el motor contra el desgaste causado por una sobrecarga de bajo voltaje, alto voltaje y otras causas. El dispositivo es automático y se reinicia una vez que la temperatura haya bajado a un punto seguro. Los disparos frecuentes del dispositivo indican problemas con el motor o las líneas eléctricas y requieren atención inmediata.

⚠ ADVERTENCIA *Nunca examine, haga cambios al cableado o toque el motor antes de desconectar el interruptor principal de alimentación eléctrica. El dispositivo térmico puede haber abierto el circuito eléctrico.*

Los motores trifásicos no tienen una protección térmica integrada. Se recomienda el uso de un arrancador magnético o manual del tamaño adecuado (ambos con calentadores de tamaño adecuado) con todos los motores trifásicos. Instale los arrancadores siguiendo las instrucciones de su fabricante. Vea Rotación del motor en la sección Funcionamiento para cambiar

la rotación en los motores trifásicos.

Todos los motores (monofásicos y trifásicos) deberían ser equipados con un interruptor de desconexión con fusibles correctos para proporcionar protección. Consulte el Código Eléctrico Nacional de los Estados Unidos u otros códigos locales para una protección adecuada de los fusibles basada en la tabla de datos del motor (vea las Tablas C, D y la Tabla de cableado F).

Funcionamiento

⚠ PRECAUCIÓN *La unidad tiene que estar llena de líquido antes de operarla. No la opere en seco ni con una descarga cerrada. No bombee agua sucia ni líquidos abrasivos. El hacerlo causará averías en la bomba e invalidará la garantía.*

VÁLVULAS

La válvula de entrada debería estar en la posición totalmente abierta y la válvula de descarga debería estar parcialmente abierta, permitiendo ejercer contrapresión contra la bomba al arrancarla. Abra la válvula después de completar el arranque.

CEBADO

NOTA: Antes de arrancar la bomba, es absolutamente necesario que tanto la bomba como la tubería de entrada estén completamente llenas de agua.

INSTALACIONES PARA ELEVAR LA PRESIÓN

El cebado es automático cuando la bomba está conectada a una fuente de presión tal como un hidrante o una línea principal urbana (vea las Figuras 6, 7 y 8).

1. Abra las válvulas o la boquilla en el lado de entrada y descarga de la bomba.
 2. Para aliviar el aire atrapado, permita que el agua corra por un mínimo de 30 segundos antes de arrancar la bomba
- IMPORTANTE:** Se requiere un flujo adecuado de agua entrando en la bomba para que los impulsores de la bomba y el sello del eje no funcionen en seco y fallen.
3. Si instaló un manómetro en la entrada de la bomba, debe registrarse una lectura mínima de 13.8 kPa (2 psi) siempre que la bomba esté en funcionamiento (Vea las Figuras 6, 7 y 8).

Esta lectura garantiza que hay un suministro adecuado de agua entrando en la carcasa de entrada la bomba.

ROTACIÓN DEL MOTOR/BOMBA

1. Los modelos monofásicos son de una (1) rotación únicamente (en sentido contrario al de las manecillas del reloj al mirar al extremo de la bomba) y no pueden ser invertidos.
2. La rotación correcta del impulsor de la bomba es primordial en las bombas trifásicas. El motor de la bomba debería girar en sentido contrario al de las manecillas del reloj al estar de frente al extremo de la bomba. Arranque el motor momentáneamente (por menos de un segundo) para verificar que la rotación sea correcta. Para cambiar la rotación en las bombas trifásicas, intercambie cualquier par (2) de cables de alimentación de energía.

⚠ PRECAUCIÓN *No exceda la presión máxima de funcionamiento recomendada (vea las Especificaciones) mientras mantiene un flujo mínimo de 0.34 M³/H (1.5 GAL/MIN) en la bomba. No restrinja la tubería de entrada de la bomba.*

Si la unidad motriz (motor eléctrico) está sobrecargada, se puede instalar una válvula en la línea de descarga para aumentar la contrapresión y disminuir la carga de la unidad motriz.

Funcionamiento (continuación)

PROCEDIMIENTO DE ARRANQUE

Una vez que haya seguido las instrucciones anteriores, puede arrancar la bomba.

1. Inspeccione la bomba, las tuberías y cualquier equipo auxiliar usado en conexión con la unidad durante las primeras horas de funcionamiento.
2. Verifique si hay fugas, vibración excesiva o ruidos extraños.

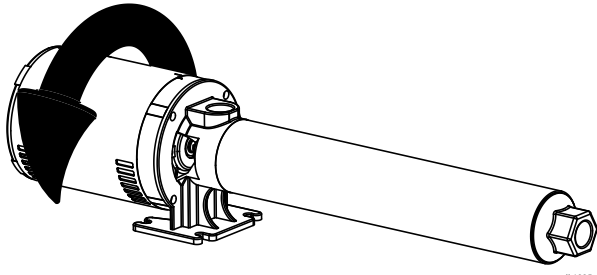


Figura 16 - Rotación correcta del motor/de la bomba (todas unidades)

NOTA: Ver la flecha de rotación en la carcasa de entrada

Mantenimiento

⚠PRECAUCIÓN *Desconecte el suministro de energía y despresurice el sistema antes de realizar mantenimiento en la bomba o antes de extraer cualquier componente.*

RUTINA

Se debería verificar la bomba regularmente para su funcionamiento adecuado. Sustituya o limpie todos los filtros y coladores de tubería regularmente.

DRENAJE

Esta bomba no se puede drenar completamente debido a su diseño interno. La mayoría del líquido saldrá al inclinar la descarga hacia delante después de retirar la fundición de descarga, o se puede drenar el líquido por el puerto de entrada. Almacene en áreas calientes.

LIMPIEZA

Si se utiliza para rociado de insecticidas, la bomba debería lavarse a fondo con agua limpia después del uso.

LUBRICACIÓN

El motor tiene rodamientos previamente lubricados. No se necesita ninguna lubricación.

MANTENIMIENTO DE UNIDADES TRIFÁSICAS

Se usa "Loctite" (sellador de roscas) en las roscas entre el eje del motor y el acoplamiento del eje de la bomba. Vuelva a aplicar el sellador al reensamblar.

DESARMADO DE LA BOMBA

Para desarmar la bomba, consulte la vista esquemática de piezas y las Figuras 17, 18 y 19

Herramientas necesarias:

- Bloque de madera (5,1 x 10,2 x 30,5 cm [2 x 4 x 12 pulg.])
- Pedazo de tubo de 1,9 cm (3/4 pulg.) de 30,5 a 60,1 cm (12 a 24 pulg.) de longitud
- Llave para tuberías
- Llave para correas
- Varilla de 0,6 cm (1/4 pulg.) de aproximadamente 60,1 cm (24 pulg.) de longitud
- Llave de tuercas de boca abierta de 1.43 cm (9/16 pulg.)
- Llave de tuercas de boca abierta de .95 cm (3/8 pulg.)

1. Para estabilizar la bomba durante el desarmado, coloque un bloque de madera debajo del cilindro de la bomba.
2. Enrosque el tubo dentro del puerto de entrada de la bomba. Esto funciona como una manija.
3. Usando la llave para tuberías, retire la carga de descarga girándola en sentido contrario al de las manecillas del reloj.
4. Con la llave para correas, suelte el cilindro, girándolo en sentido contrario al de las manecillas del reloj. NO use la llave para tuberías en el cilindro de la bomba.
5. Asegurando el tubo del impulsor en su lugar, coloque la bomba en posición vertical, apoyando la unidad en la tapa del extremo del motor.
6. Use la varilla de 0,6 cm (1/4 pulg.) para sujetar las etapas en su lugar en el eje de la bomba. Remueva el cilindro de la bomba.
7. Deslice las etapas fuera del eje de la bomba y hacia la varilla de 0,6 cm (1/4 pulg.). Deje las etapas en la varilla y apártela cuidadosamente.

NOTA: Puede haber algunas arandelas pequeñas de 0,2 mm (0,010 pulg.) para calzar situadas al lado del acoplamiento del eje de la bomba. Guarde estas arandelas para el reensamblaje.

8. Por la abertura lateral del armazón de montaje, asegure el eje del motor con una llave de 14,2 mm (9/16 pulg.) Retire el eje y el acoplamiento del motor usando una llave de 9,52 cm (3/8 pulg.) en el eje hexagonal de la bomba.

NOTA: Si el eje hexagonal se suelta, dejando el acoplamiento fijado al motor, use unas pinzas de presión para soltar el acoplamiento.

REEMPLAZO DE UN SELLO MECÁNICO

1. Siga las instrucciones en "Desarmado de la bomba".
2. Retire el conjunto del sello mecánico.
 - a. La parte giratoria del conjunto del sello (anillo de carbono, junta de Buna-N y resorte se deslizarán fácilmente por el extremo del eje).
 - b. Usando dos (2) destornilladores, levante el sello de cerámica y la junta de goma del rebajo del anillo de montaje (vea la Figura 17).

⚠PRECAUCIÓN *Es fácil dañar las superficies traslapadas de precisión del sello mecánico. Maneje el sello de repuesto con cuidado. La vida útil del sello disminuirá si las superficies del sello (de cerámica y carbono) se golpean, están rayadas o sucias.*

3. Limpie a fondo la cavidad del sello del anillo de montaje y el motor.
4. Moje el reborde externo de la cubeta de goma en el asiento de cerámica con una solución de jabón en líquido. Utilice con moderación (solo una gota).

NOTA: Solución de jabón líquido - una gota de jabón líquido combinado con una cucharadita de agua.

5. Usando la presión del pulgar, presione la mitad del sello de cerámica firmemente y por igual para encajarlo dentro de la cavidad del sello. La superficie pulida del asiento de cerámica está hacia arriba. Si el sello no asienta correctamente, retírelo, colocando su superficie hacia arriba en el banco. Vuelva a limpiar la cavidad. El sello ahora debería asentarse correctamente (vea la Figura 18).
6. Si el sello no se asienta correctamente después de limpiar la cavidad de nuevo, coloque una arandela de cartón sobre la superficie pulida y presione con cuidado en su lugar usando un pedazo de tubo estándar limpio de 1,9 cm (3/4 pulg.) como una prensa (vea Figura 19).

Mantenimiento (continuación)

IMPORTANTE: No raye la superficie del sello.

1. Deseche la arandela de cartón y vuelva a verificar que la superficie del sello esté libre de suciedad, partículas extrañas, rasguños y grasa.
2. Inspeccione el eje para asegurarse de que está libre de golpes y arañazos.
3. Aplique la solución de jabón líquido con moderación (una gota es suficiente) al diámetro interior de la pieza giratoria de goma.
4. Deslice la pieza giratoria del sello (la superficie de carbono hacia abajo en dirección a la superficie de cerámica) y el resorte sobre el eje.

IMPORTANTE: No melle ni rasguñe la superficie de carbono del sello al manejarlo.

REEMPLAZO DEL MOTOR

El motor puede ser reemplazado por cualquier motor Nema 56J estándar para bombas de chorro (de la potencia adecuada [kW] para cada bomba) consultando las siguientes instrucciones.

1. Siga los pasos señalados en Reemplazo de un sello giratorio y Desarmado de la bomba.
2. Quite los tornillos de cabeza que conectan el motor al anillo de montaje y saque el motor.
3. Reemplace el motor con un motor Nema 56J estándar para bombas de chorro colocando el motor contra la armazón de montaje y uniéndolo con cuatro (4) tornillos de cabeza.

IMPORTANTE: Debido a que el sello del eje puede dañarse durante el desmontaje, será necesario reemplazarlo por uno nuevo.

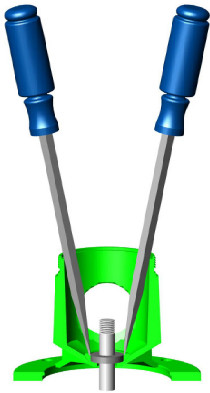


Figura 17 - Retirar el sello mecánico

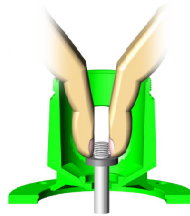
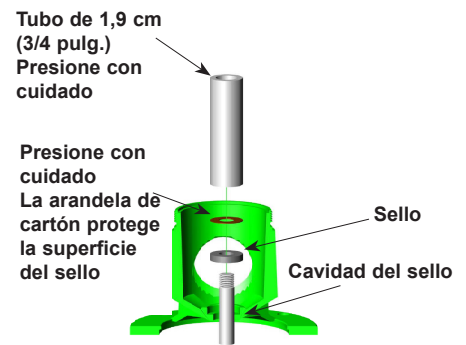


Figura 18 - Presionar el sello



IL0554

Figura 19 - De ser necesario, presionar con cartón y tubo

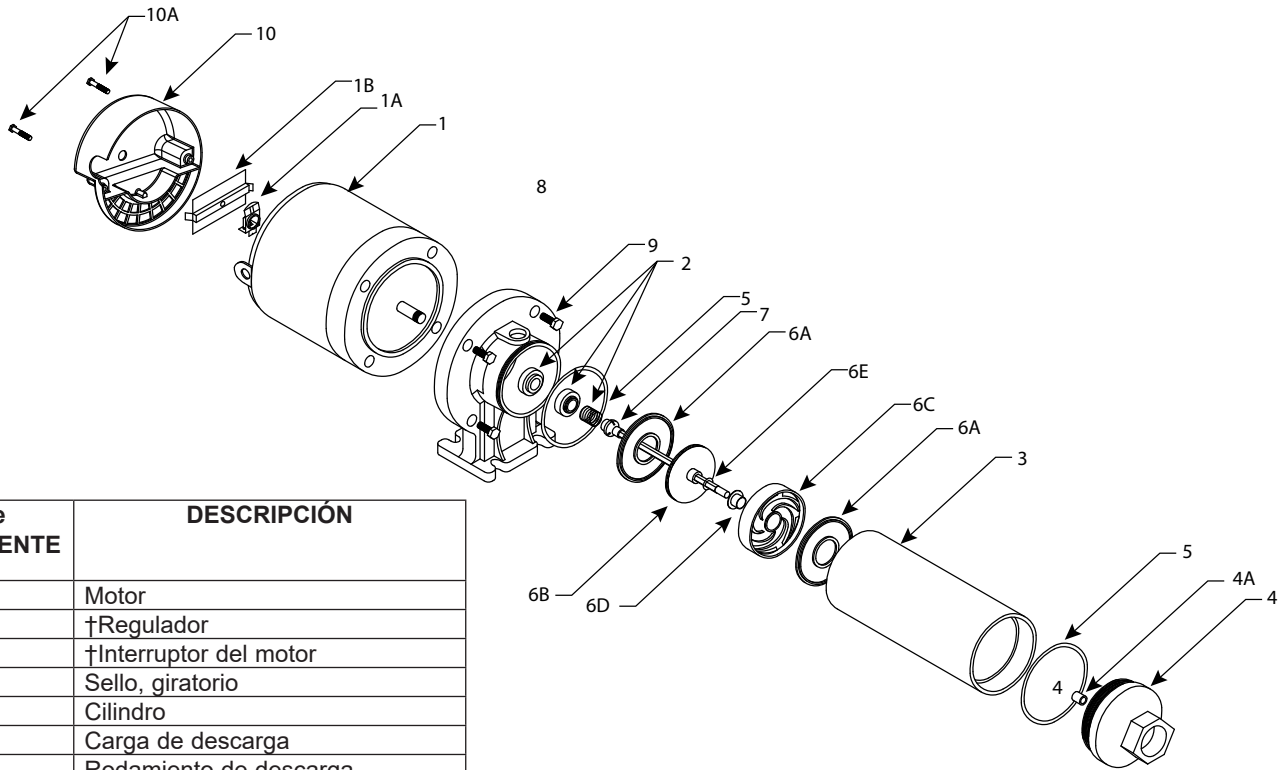
REENSAMBLAJE DE LA BOMBA

Antes de reensamblar la bomba, inspeccione las piezas componentes del conjunto del cartucho (etapa) cuidadosamente para ver si hay daños, desgaste o deformación debido a calor. Preste especial atención al espacio entre los componentes y su dirección y a la ubicación de las arandelas para calzar. Consulte la Figura 20 para ver la dirección y disposición correctas de las piezas. Si el daño a los componentes de una etapa es evidente, hay un conjunto completo de cartucho o conjuntos de etapas individuales disponibles para reemplazo (vea Lista de piezas de repuesto).

1. El reensamblaje debe seguir el orden inverso del procedimiento del desarmado con cuidado especial debido al reemplazo del sello giratorio.
2. Verifique si hay daños en la parte de arriba o de abajo de las juntas tóricas. Se recomienda usar juntas tóricas nuevas.
3. No use cinta de teflón en las roscas del cilindro. Las juntas tóricas evitarán que la bomba tenga escapes.
4. Después de reensamblar la bomba, apriete la carga de descarga a una torsión de 61,0 a 67,8 N-m (40-50 pies/libra.). Si no tiene una llave de torsión disponible, apriete firmemente pero evitando distorsión o daños a las piezas internas de plástico.
5. Después del reensamblaje, aplique energía momentáneamente a la unidad por 15 a 30 segundos. La bomba y el motor deben girar libremente o con un roce ligero.

Tabla de solución de problemas		
Síntoma	Posible(s) causa(s)	Acción correctiva
La bomba no arranca o no funciona a máxima velocidad	<ol style="list-style-type: none"> 1. Fusible fundido o disyuntor abierto 2. Alimentación eléctrica en la posición OFF (apagada) 3. Voltaje incorrecto en motor (verificar el voltaje con el motor en funcionamiento) 4. Cables flojos, rotos o incorrectos 5. Motor defectuoso 6. Componentes de la bomba hidráulica obstruidos/desgastados/dañados 	<ol style="list-style-type: none"> 1. Reemplazar fusible o cerrar disyuntor. Consultar la tabla de tamaños de cable para obtener el tamaño correcto del disyuntor/fusible 2. Encender la alimentación 3. Bajo voltaje <ol style="list-style-type: none"> a. El voltaje debe estar dentro de $\pm 10\%$ del voltaje nominal del motor. Verificar voltaje entrante. Comunicarse con la compañía de electricidad b. Asegurarse de que el voltaje del motor concuerda con el voltaje de la alimentación. Ver la placa de datos y los diagramas eléctricos del motor c. Verificar el tamaño del cable del interruptor principal a la bomba. Consultar la tabla de tamaños de cable para obtener el tamaño correcto del cable 4. Volver a instalar el cableado de cualquier circuito incorrecto. Apretar las conexiones, reemplazar los cables defectuosos 5. Reemplazar el motor 6. Reemplazar las piezas desgastadas o la bomba completa. Limpiar las piezas si es necesario
La bomba trabaja pero saca muy poca agua o ninguna	<ol style="list-style-type: none"> 1. Las válvulas manuales o solenoides conectadas al sistema restringen el flujo 2. Filtro en línea restringe el flujo 3. Bajo voltaje de línea 4. Suministro de agua inadecuado hacia la bomba elevadora de presión 5. Tubería demasiado pequeña 6. Fuga en el lado de entrada del sistema 7. Válvula de zapata y/o filtro inadecuados, defectuosos u obstruidos 8. Bomba o piezas de la bomba desgastadas o defectuosas. 9. La extracción de agua es demasiado elevada 10. Bomba no cebada 11. Rotación incorrecta, motor funcionando al revés 	<ol style="list-style-type: none"> 1. <ol style="list-style-type: none"> a. Verificar todas las válvulas en los lados de entrada y descarga del sistema para asegurarse de que están abiertas de manera correcta y permiten el flujo hacia la bomba y fuera de la misma b. Dejar salir el aire atrapado dentro de la bomba, el cual evita que el agua llegue a la bomba. (Normalmente debido a una válvula cerrada en la tubería de descarga) 2. Verificar todos los filtros en línea para asegurarse de que no estén obstruidos o restringidos 3. Ver la acción correctiva para un bajo voltaje de línea (arriba) 4. Verificar la presión en el lado de entrada del elevador de presión para asegurarse de que se mantiene presión positiva en la bomba elevadora de presión 5. Reemplazar la tubería demasiado pequeña 6. Asegurarse de que las conexiones estén bien apretadas. Reparar las fugas según sea necesario 7. piar, reparar o reemplazar según sea necesario 8. Reemplazar las piezas desgastadas o todo el impulsor obturado. Limpiar las piezas si es necesario 9. La bomba debería ser operada con succión inundada solamente 10. Cebad bomba: asegúrese de que el tubo de entrada esté apretado y de que la bomba y el tubo estén llenos de agua 11. La rotación invertida del motor puede ocurrir en unidades trifásicas. Para corregirlo, intercambiar cualquiera de los dos cables de alimentación entrantes.
Demasiado ruido mientras la bomba está encendida	<ol style="list-style-type: none"> 1. La bomba no está asegurada a una base firme 2. Tubería no admitida 3. Línea de entrada restringida 4. Cavitación (ruido como de canicas dentro del motor) 5. Rodamientos del motor desgastados 	<ol style="list-style-type: none"> 1. Asegurar de manera adecuada 2. Hacer los ajustes necesarios 3. Limpiar o corregir 4. <ol style="list-style-type: none"> a. Reducir la velocidad en el mando directo b. Aumentar el tamaño del tubo de entrada c. Demasiado viscoso (el material siendo bombeado es demasiado espeso) 5. Reemplazar los cojinetes o el motor
La bomba tiene una filtración	<ol style="list-style-type: none"> 1. Sello mecánico desgastado (filtración en el eje) 2. Juntas tóricas desgastadas 	<ol style="list-style-type: none"> 1. Reemplazar el sello del eje (giratorio) 2. Reemplazar las juntas tóricas ubicadas en los dos extremos de la carcasa de acero inoxidable

Plano de piezas de bombas elevadora de presión



Nº de COMPONENTE	DESCRIPCIÓN
1	Motor
1A	†Regulador
1B	†Interruptor del motor
2	Sello, giratorio
3	Cilindro
4	Carga de descarga
4A	Rodamiento de descarga
5	Junta tórica (2)
6A	Placa, difusor
6B	Impulsor
6C	Difusor
6D	Rodamiento de difusor
6E	Arandelas para calzar según se requiera
7	Conjunto de eje y acoplamiento
8	Anillo de montaje
9	Pernos de cabeza hexagonal (4)
10	†Tapa de acceso al motor
10A	†Tornillos, tapa de acceso (2)

*Vea la nota a continuación para las piezas incluidas en el conjunto de cartucho.

†Solo motor ODP

Figura 20

IL0127

Detalle de piezas internas

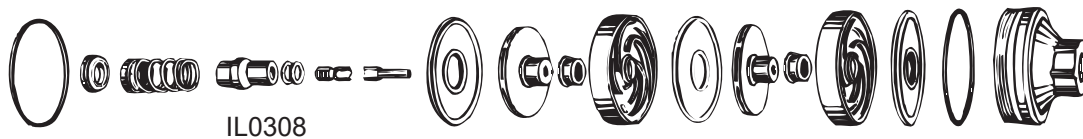


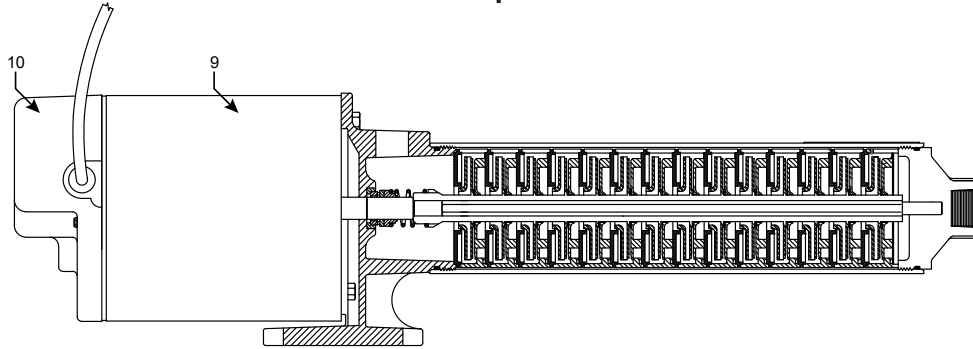
Figura 21 - El conjunto de cartucho incluye rodamiento de descarga, eje y conjunto de acoplamiento, placa de difusor, impulsores, rodamientos de difusor, difusores y juntas tóricas

NOTA: La ilustración muestra solo dos etapas. La bomba tiene múltiples etapas. Las piezas individuales no están disponibles por separado.

PIEZAS DE REPUESTO PARA BOMBAS ELEVADORAS DE PRESIÓN

FORM NO. FW0045S
1021
SUPERSEDES
1020

(Para precios, consulte la Lista de precios de las piezas de re.
Motores de repuesto

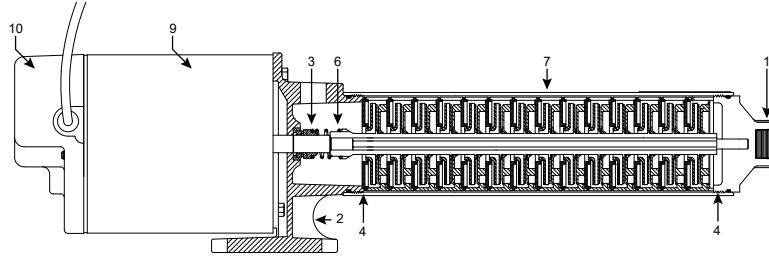


COMP.	MOTORES DE REPUESTO	CANT.	HIERRO FUNDIDO	RECUBRIMIENTO EPÓXICO PULVERIZADO	ACERO INOXIDABLE	HIERRO FUNDIDO	RECUBRIMIENTO EPÓXICO PULVERIZADO	ACERO INOXIDABLE
			MONOFÁSICO 60 HZ			TRIFÁSICO 60 HZ		
9	ODP NEMA J 1/3 HP	1	98J103	98J103	98S103			
	ODP NEMA J 1/2 HP		98J105	98J105	98S105	98J305	98J305	98S305
	ODP NEMA J 3/4 HP		98J107	98J107	98S107	98J307	98J307	98S307
	ODP NEMA J 1 HP		98J110	98J110	98S110	98J310	98J310	98S310
	ODP NEMA J 1-1/2 HP		98J115	98J115	98S115	98J315	98J315	98S315
	ODP NEMA J 2 HP		98J120	98J120	98S120	98J320	98J320	98S320
	ODP NEMA J 3 HP		98J630	98J630	98S630	N/A	N/A	N/A
10	Tapa del motor con tornillos	1	023212	023212	023212	023212	023212	023212
*	Tornillos, tapa del motor	2	021302	021302	021302	021302	021302	021302
			MONOFÁSICO 50 HZ			TRIFÁSICO 60/50 HZ		
9	ODP NEMA J 1/3 HP	1	98J003	98J003	98S003			
	ODP NEMA J 1/2 HP		98J005	98J005	98S005	98J305	98J305	98S305
	ODP NEMA J 3/4 HP		98J007	98J007	98S007	98J307	98J307	98S307
	ODP NEMA J 1 HP		98J010	98J010	98S010	98J310	98J310	98S310
	ODP NEMA J 1-1/2 HP		98J015	98J015	98S015	98J315	98J315	98S315
	ODP NEMA J 2 HP		98J820	98J820	98S820	98J320	98J320	98S320
10	Tapa del motor con tornillos	1	023212	023212	023212	023212	023212	023212
*	Tornillos, tapa del motor	2	021302	021302	021302	021302	021302	021302
			MONOFÁSICO 60/50 HZ			TRIFÁSICO 60/50 HZ		
9	TEFC NEMA J 1/2 HP	1		020691	020691		021011	021011
	TEFC NEMA J 3/4 HP			021008	021008		021012	021012
	TEFC NEMA J 1 HP			021009	021009		020688	020688
	TEFC NEMA J 1-1/2 HP			020692	020692		020647	020647
	TEFC NEMA J 2 HP			020693	020693		020689	020689
	TEFC NEMA J 3 HP			021010	021010		025585	025585

*No se muestra

N/A - no disponibles

PIEZAS DE REPUESTO PARA BOMBAS ELEVADORAS DE PRESIÓN (Para precios, consulte la Lista de precios de las piezas de repuesto)



FW0046
1021
SUPERSEDES
1020

	COMP.	DESCRIPCIÓN	CANT.	HIERRO FUNDIDO	RECUBRIMIENTO EPÓXICO PULVERIZADO	ACERO INOXIDABLE	
1,1 - 1,6 - 3,4 - 4,3 M ³ /H (5 - 7 - 10 - 19 GAL/MIN), 60 HZ y 50 HZ	1	Carga de descarga DN20 (3/4 pulg. NPT)	1	132000	136905	136640	Ver motores de repuesto. COMPONENTES 9 Y 10
	2	Anillo de montaje DN20 (3/4 pulg. NPT)	1	132002	136904	136639	
6,13 - 7,95 m ³ /h (27 - 35 GAL/MIN), 60 HZ y 50 HZ	1	Carga de descarga DN25 (1 pulg. NPT)	1	136635	137796	139166	
	2	Anillo de montaje DN25 (1 pulg. NPT)	1	136634	137794	139100	
12,49 - 19,31 M ³ /H (55 - 85 GAL/MIN), 60 HZ y 50 HZ	1	Carga de descarga DN50 (2 pulg. NPT)	1	021585	-	-	
	2	Anillo de montaje DN50 (2 pulg. NPT)	1	021584	-	-	
TODAS LAS SERIES 60 HZ y 50 HZ	3	Sello, giratorio con resorte	1	131100 †	131100 †	136682 ‡	
	4	Junta tórica	2	131925 ■	131925 ■	136607 ▲	
	*	Tornillos de cabeza hexagonal de 1,0 x 1,9 cm (3/8 x 3/4 pulg.)	4	121106	121106	121106	

(†) Buna N - carbono/carburo de silicio (‡) Viton - carbono/carburo de silicio (■) Buna N (▲) Viton (*) No se muestra

MODELOS 60 HZ	MATERIAL	HIERRO FUNDIDO	PB0508AXXX	PB0512AXXX	PB0516AXXX	PB0712AXXX	PB1014AXXX	PB1016AXXX
		RECUBRIMIENTO EPÓXICO PULVERIZADO	PB0508CXXX	PB0512CXXX	PB0516CXXX	PB0712AXXX	PB1014CXXX	PB1016CXXX
		ACERO INOXIDABLE	PB0508SXXX	PB0512SXXX	PB0516SXXX	PB0712SXXX	PB1014SXXX	PB1016SXXX
	COMP.	DESCRIPCIÓN	NÚMERO DE PIEZA					
	5	Conjunto de cartucho ‡	135163	132939	138447	134097	134998	135814
	6	Conjunto de eje y acoplamiento	135161	133336	138446	133336	134996	135813
	7	Cilindro/Carcasa	135162	132003	138448	132003	134997	135815
	MATERIAL	HIERRO FUNDIDO	PB1914AXXX	PB2711AXXX	PB2714AXXX		PB3506AXXX	PB3508AXXX
		RECUBRIMIENTO EPÓXICO PULVERIZADO	PB1914CXXX	PB2711CXXX	PB2714CXXX		PB3506CXXX	PB3508CXXX
		ACERO INOXIDABLE	PB1914SXXX	PB2711SXXX	PB2714SXXX	PB2717SXXX	PB3506SXXX	PB3508SXXX
COMP.	DESCRIPCIÓN	NÚMERO DE PIEZA						
5	Conjunto de cartucho ‡	137222	135627	136629	020980	136626	136632	
6	Conjunto de eje y acoplamiento	137221	136624	136628	020916	136625	136631	
7	Cilindro/Carcasa	137223	135628	136630	138947	136627	136633	
MATERIAL	HIERRO FUNDIDO	PB5504XX	PB5506XX	PB8504XX	PB8505XX			
	COMP.	DESCRIPCIÓN	NÚMERO DE PIEZA					
	5	Conjunto de cartucho ‡	022293	022294	022295	022296		
6	Conjunto de eje y acoplamiento	022289	022287	022288	022287			
7	Cilindro/Carcasa	022291	022292	138151	022290			

MODELOS 50 HZ	MATERIAL	HIERRO FUNDIDO	PB0508XXX	PB0514XXX	PB0714XXX	PB1020XXX	PB1022XXX	PB1023XXX
		RECUBRIMIENTO EPÓXICO PULVERIZADO	PB0508ZXXX	PB0514ZXXX	PB0714ZXXX	PB1020ZXXX	PB1022ZXXX	PB1023ZXXX
		ACERO INOXIDABLE	PB0508YXXX	PB0514YXXX	PB0714YXXX	PB1020YXXX	PB1022YXXX	PB1023YXXX
	COMP.	DESCRIPCIÓN	NÚMERO DE PIEZA					
	5	Conjunto de cartucho ‡	135163	138150	021032	135907	020280	135911
	6	Conjunto de eje y acoplamiento	135161	138149	138149	135906	020278	135910
	7	Cilindro	135162	138151	138151	135098	020094	135912
	MATERIAL	HIERRO FUNDIDO	PB1920XXX		PB2717XXX	PB3508XXX	PB3514XXX	
		RECUBRIMIENTO EPÓXICO PULVERIZADO	PB1920ZXXX	PB1922ZXXX	PB2717ZXXX	PB3508ZXXX	PB3514ZXXX	
		ACERO INOXIDABLE	PB1920YXXX		PB2717YXXX	PB3508YXXX	PB3514YXXX	
COMP.	DESCRIPCIÓN	NÚMERO DE PIEZA						
5	Conjunto de cartucho ‡	020982	139435	020980	136632	021017		
6	Conjunto de eje y acoplamiento	020093	021425	020916	136631	021015		
7	Cilindro	020094	139436	138947	136633	021016		

(‡) El conjunto de cartucho incluye: impulsores, difusores, juntas tóricas y conjunto de eje y acoplamiento. Componentes no disponibles individualmente. Se vende solamente como conjunto.