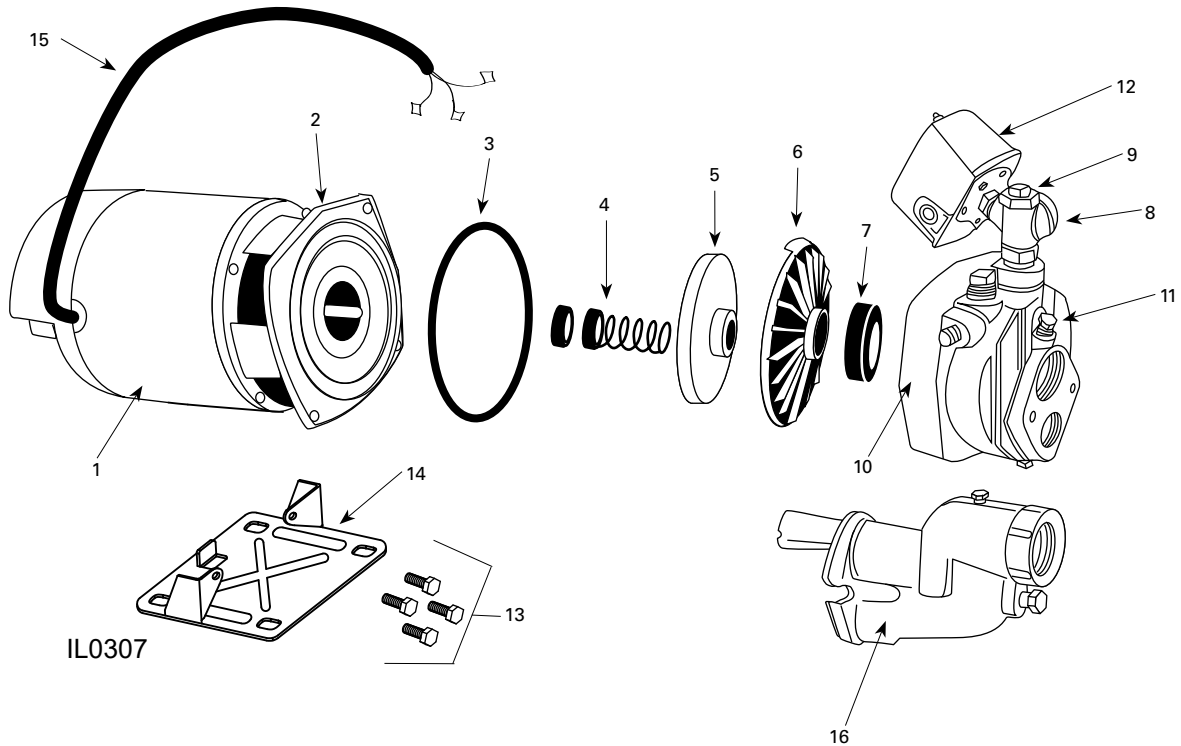


## SHALLOW & DEEP WELL JET PUMP REPAIR PARTS

(For Pricing Refer To Repair Parts Price List)



HORSEPOWER		1/3	1/2	3/4	1	1-1/2	
"SW" SHALLOW WELL MODEL NO.		JH03S JHU03S	JH05S JHU05S	JH07S JHU07S	JH10S JHU10S	JHU15S	
"CONV" CONVERTIBLE MODEL NO.		JH03 JHU03	JH05 JHU05	JH07 JHU07	JH10 JHU10		
ITEM	DESCRIPTION	QTY.	PART NO.				
1	Motor, Nema J	1	98J103	98J105	98J107	98J110	98J115
2	Mounting Ring	1	134162	134162	134163	134163	134163
3	Ring, Square Cut	1	132583	132583	132429	132429	132429
4	Seal, Rotary w/Spring	1	131100	131100	131100	131100	131100
5	Impeller	1	139348	139349	134137	134138	134138
6	Diffuser	1	132424	132424	132425	132425	132425
7	Rubber, Diffuser	1	132428	132428	132428	132428	132428
8 & 9	Control Assembly †	1	134349	134349	134349	134349	N/A
8	Control Body	1	135019	135019	135019	135019	135019
9	Flow Control Screw	1	124330	124330	124330	124330	124330
10	Pump Body	1	134121	134121	134121	134123	134123
11	Plug 1/4" NPT	3	*	*	*	*	*
11	Plug 1/2" NPT		N/A	N/A	N/A	N/A	N/A
12	Pressure Switch	1	020345	020345	020345	020345	020345
13	Cap Screws, 3/8 x 3/4"	8	*	*	*	*	*
14	Base	1	128034	128034	128034	128034	128034
15	Lead Wire	1	136135A	136135A	136135A	136135A	136136A
16	Ejector Pkg. "SW" Models	1	SW03E-1626	SW05E-1630	SW07E-1432	SW10E-1334	SW15E-1836
‡	Ejector Gasket w/Bolts	1	132404	132404	132404	132404	132404
‡	Nozzle	1	-	-	-	-	-
‡	Venturi	1	-	-	-	-	-

(†) Control assembly required on convertible models only

(\*) Standard hardware item

(‡) Not Shown

(††) Impeller with 138138 Seal Ring