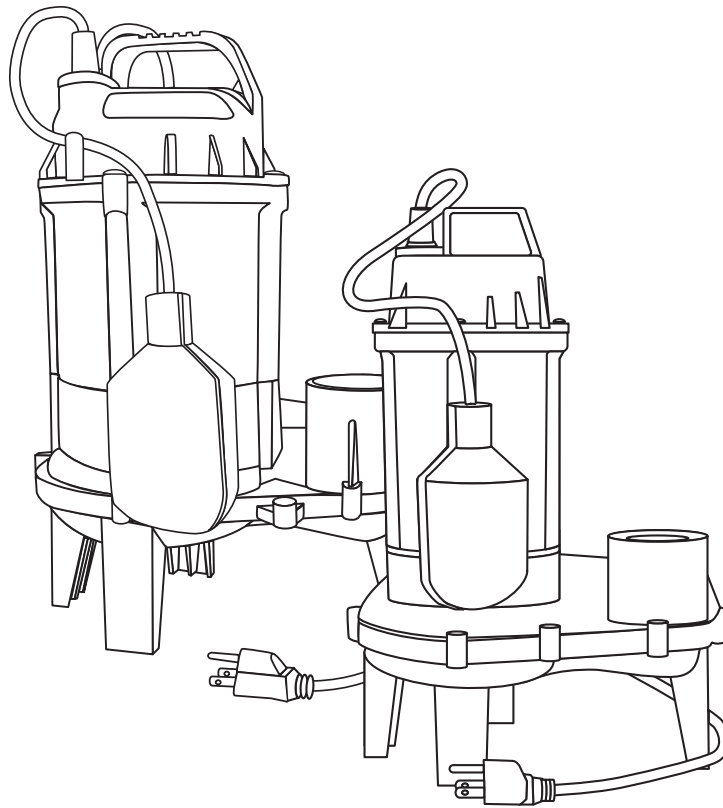


# SEWAGE PUMPS

MODELS #30TC, 50TC

Español p. 14



## ATTACH YOUR RECEIPT HERE

Serial Number \_\_\_\_\_ Purchase Date \_\_\_\_\_



Questions, problems, missing parts? Before returning to your retailer, call our customer service department at 1-800-742-5044, 7:30 a.m. - 5:00 p.m., EST, Monday - Friday.

## SAFETY INFORMATION

---

Please read and understand this entire manual before attempting to assemble, operate, or install the product.

- **NOTE:** Pumps with the “UL” Mark and pumps with the “US” mark are tested to UL Standard UL778. CSA certified pumps are certified to CSA Standard C22.2 No. 108. (CUS.)

### DANGER

- **ELECTRICAL SHOCK HAZARD.**  
Always disconnect power source before performing any work on or near the motor or its connected load. If the power disconnect point is out-of-sight, lock it in the open position and tag it to prevent unexpected application of power. Failure to do so could result in fatal electrical shock.
- **ELECTRICAL SHOCK HAZARD.**  
Do not handle the pump with wet hands or when standing in water as fatal electrical shock could occur. Disconnect main power before handling unit for ANY REASON!
- **RISK OF ELECTRIC SHOCK.**  
These pumps have not been investigated for use in swimming pool areas.

### WARNING

- **ELECTRICAL SHOCK ALERT.**  
To reduce the risk of electric shock, install only a circuit protected by a ground-fault circuit-interruptor (GFCI). Make certain that the ground fault receptacle is within the reach of the pump’s power supply cord. DO NOT USE AN EXTENSION CORD.
- **ELECTRICAL SHOCK ALERT.**  
Follow all local electrical and safety codes, as well as the National Electrical Code (NEC) and the Occupational Safety and Health Act (OSHA).
- **ELECTRICAL SHOCK ALERT.**  
Do not kink power cable, and never allow the cable to come in contact with oil, grease, hot surfaces, chemicals, or sharp objects. Replace damaged or worn wiring cord immediately.
- **ELECTRICAL SHOCK ALERT.**  
As a safety measure, each electrical outlet should be checked for ground using an Underwriters Laboratory Listed circuit analyzer, which will indicate if the power, neutral, and ground wires are correctly connected to your outlet. If they are not, contact a licensed electrician.
- **ELECTRICAL SHOCK ALERT.**  
These pumps are supplied with a 3-prong grounded plug to help protect you against the possibility of electrical shock. DO NOT UNDER ANY CIRCUMSTANCES REMOVE THE GROUND PIN.
- **ELECTRICAL SHOCK ALERT.**  
To reduce the risk of electric shock, install only a circuit protected by a ground-fault circuit-interruptor (GFCI).
- **ELECTRICAL SHOCK ALERT.**  
Make sure the pump electrical supply circuit is equipped with fuses or circuit breakers of proper capacity. A separate branch circuit is recommended, sized according the National Electrical Code for the current shown on the pump name plate.
- **PROP65 WARNING FOR CALIFORNIA RESIDENTS:**  
Cancer and Reproductive Harm – [www.P65Warnings.ca.gov](http://www.P65Warnings.ca.gov).

## CAUTION

- **PRODUCT DAMAGE MAY RESULT.**

Make certain that the power source conforms to the requirements of your equipment.

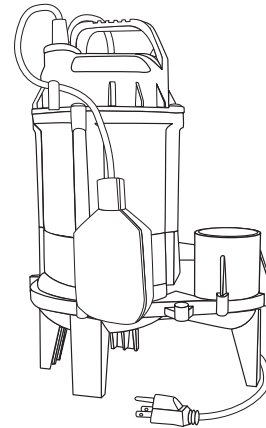
- **PRODUCT DAMAGE MAY RESULT.**

Maximum continuous operating water temperature for standard model pumps must not exceed 104°F (40°C).

## PACKAGE CONTENTS

---

Description	Quantity
Pump	1



## PREPARATION

---

Before beginning installation of product, make sure all parts are present. Compare parts with package contents list. If any part is missing or damaged, do not attempt to assemble the product.

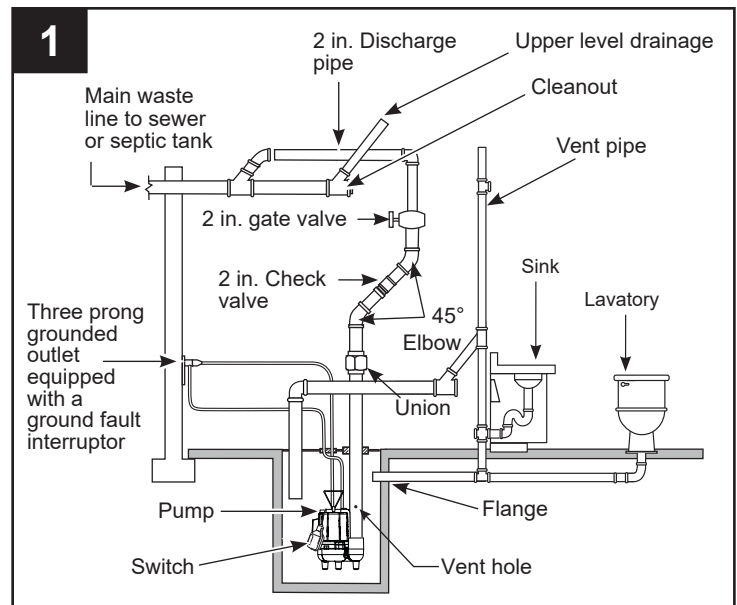
**Estimated Installation Time:** 2 hours

**Tools Required for Assembly (not included):** Adjustable wrench, hacksaw, flathead screwdriver, Phillips screwdriver, tape measure, utility knife, pipe wrench.

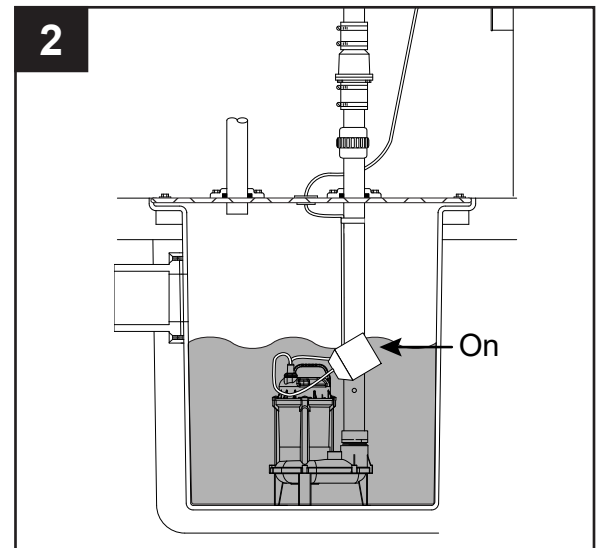
**Parts Required For Assembly (not included):** sewage pump basin minimum 18 in. w x 30 in. deep, basin cover, basin gasket, 2 in. check valve, 2 in. union, gate valve or ball valve as required by codes, 2 in. Sched 40 PVC pipe, 2-step PVC glue system (primer and sealer), cable or zip ties.

## GENERAL PUMP INFORMATION

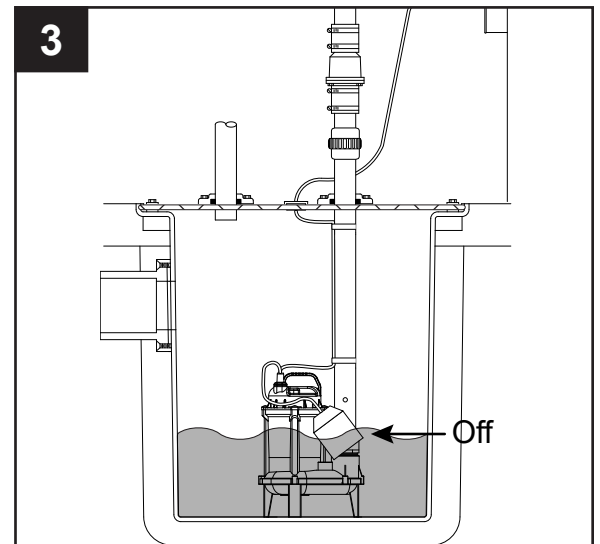
1. Sewage pumps are pumps used to remove waste water that contains solids up to 2 in. in diameter. The most common application is for draining bathroom waste water to a sewer or septic line.



2. These pumps are equipped with a float switch. The pump will turn on automatically when the water level in the basin reaches the “on” level.



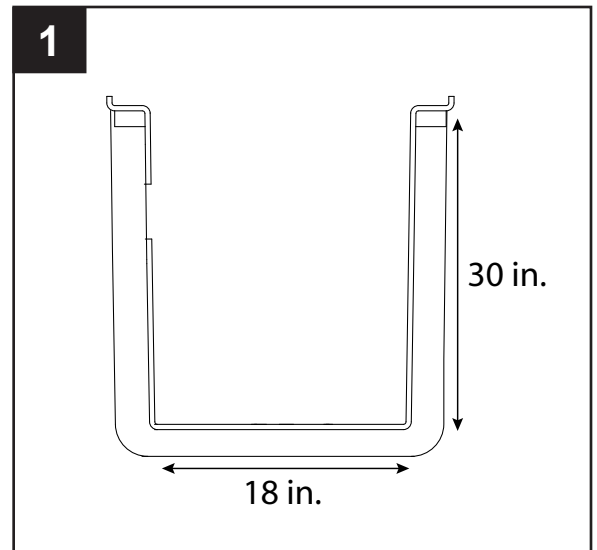
3. The pump will turn off automatically when the water level in the basin reaches the “off” level.



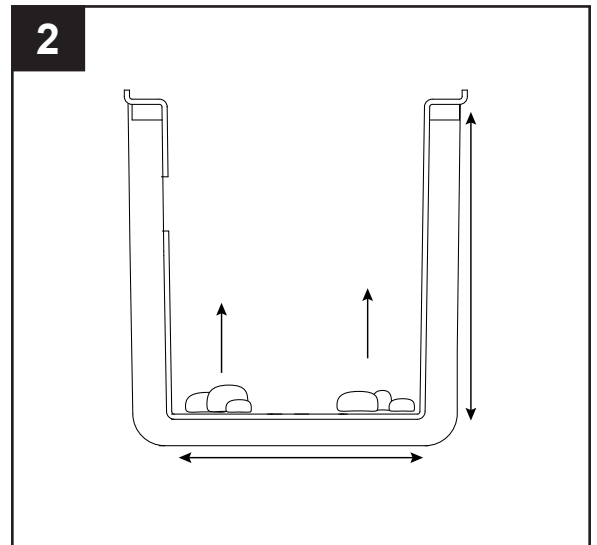
Item	On Level	Off Level
30TC	15.7 in.	8.2 in.
50TC	14 in.	9 in.

## INSTALLATION INSTRUCTIONS

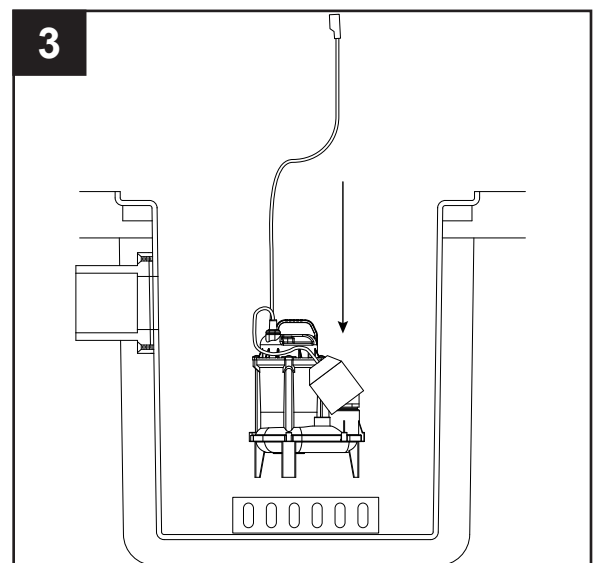
1. Use a basin (not included) that is at least 18 in. wide by 30 in. deep.



2. Clean the basin of all debris.

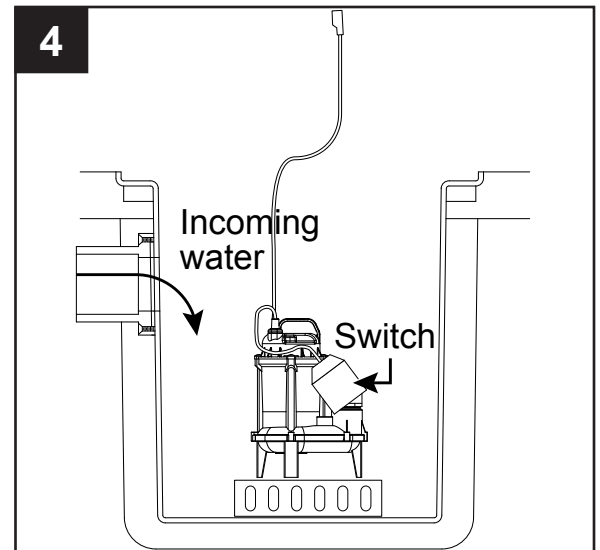


3. Set the pump on a solid, level surface. A brick or block (not included) may be installed under the pump to provide a solid base.

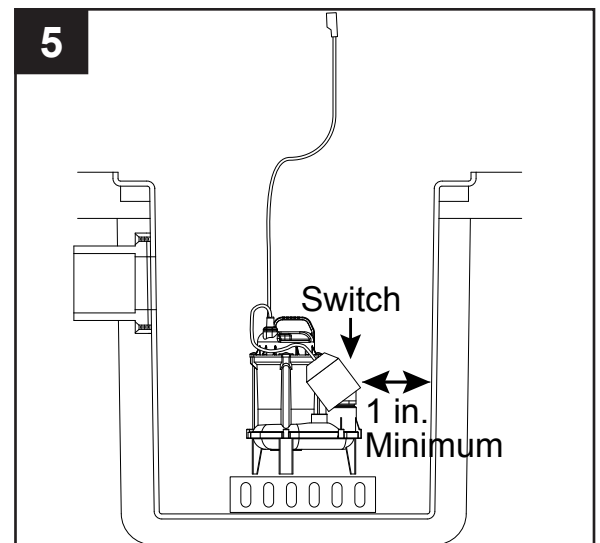


## INSTALLATION INSTRUCTIONS

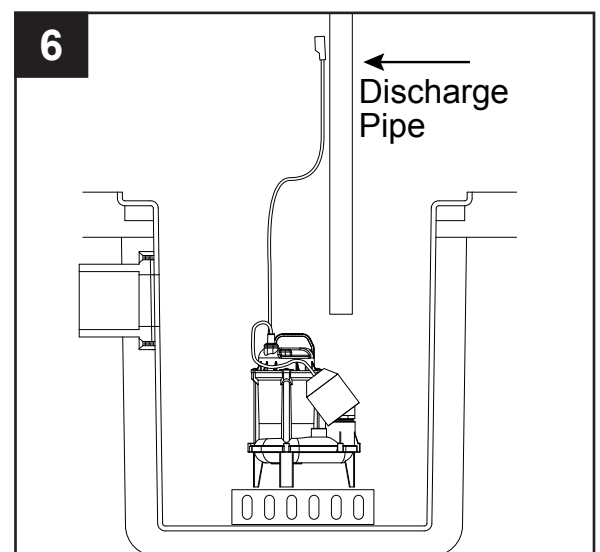
4. Place the pump inside the basin with the switch positioned away from incoming water.



5. Be sure the float switch is at least 1 in. away from the side walls of the basin and free of any obstructions through the full range of switch motion.

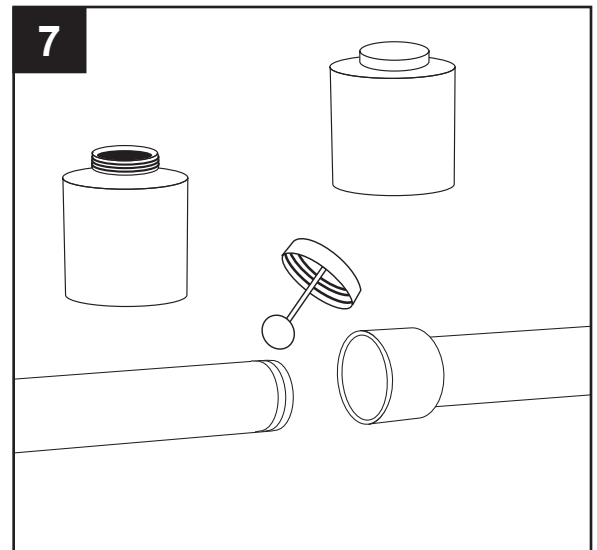


6. Install rigid 2 in. discharge pipe (not included) according to local, regional, and state codes.

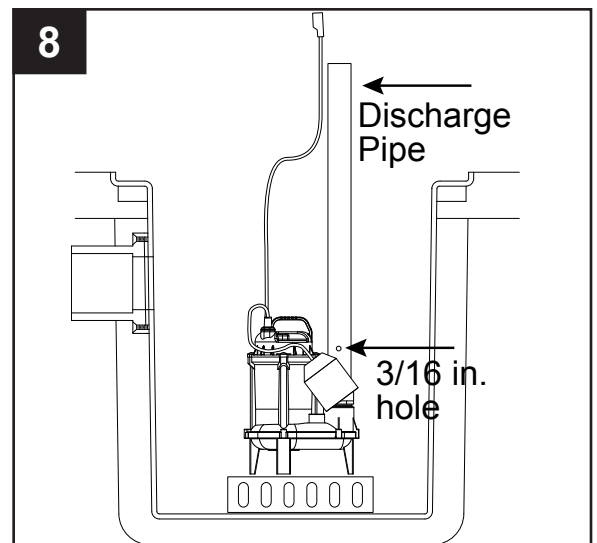


## INSTALLATION INSTRUCTIONS

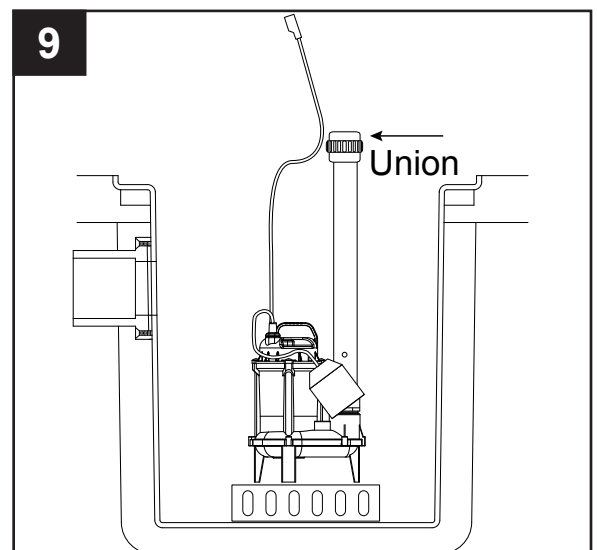
7. Use a 2-step PVC glue system (not included) to join pipe and any fittings needed.



8. Drill a 3/16 in. hole in the discharge pipe above the pump discharge to prevent air lock. Water stream will be visible from this hole when the pump is running. The hole must be cleaned periodically.

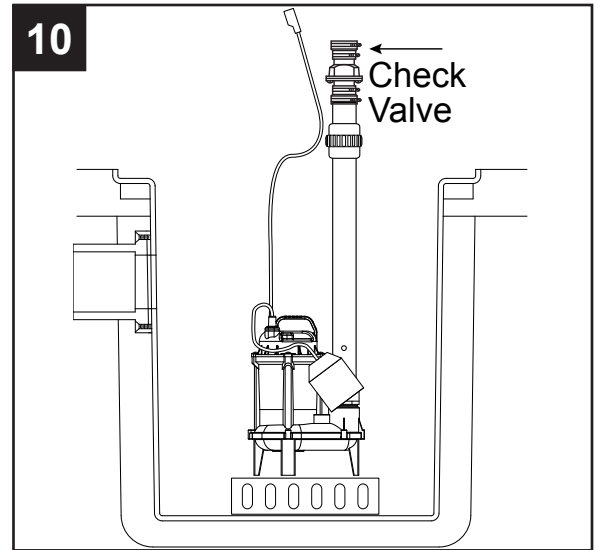


9. Install a 2 in. union (not included) above the basin to allow the pump to be removed for cleaning and service.

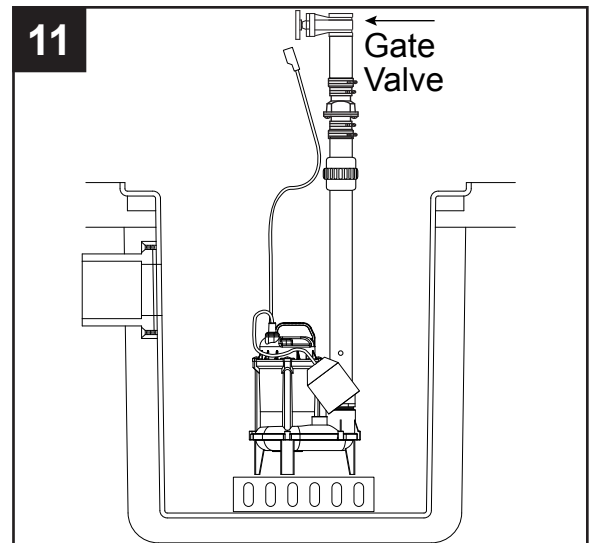


## INSTALLATION INSTRUCTIONS

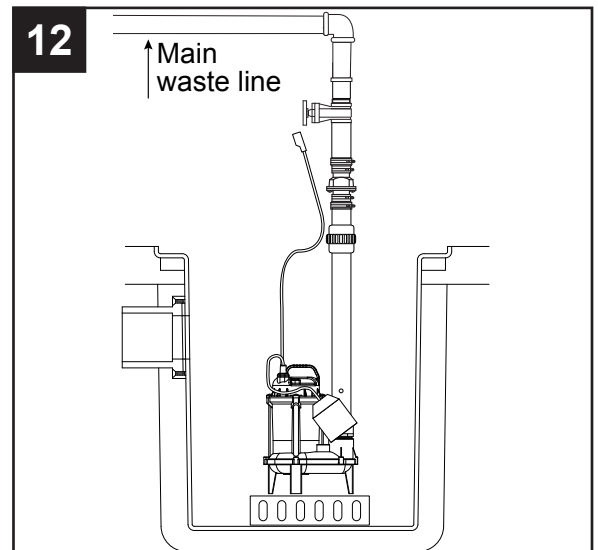
10. Install a 2 in. check valve (not included) above the union to prevent back-flow.



11. Install a 2 in. gate valve (not included) above the check valve as required by local, regional or state codes.



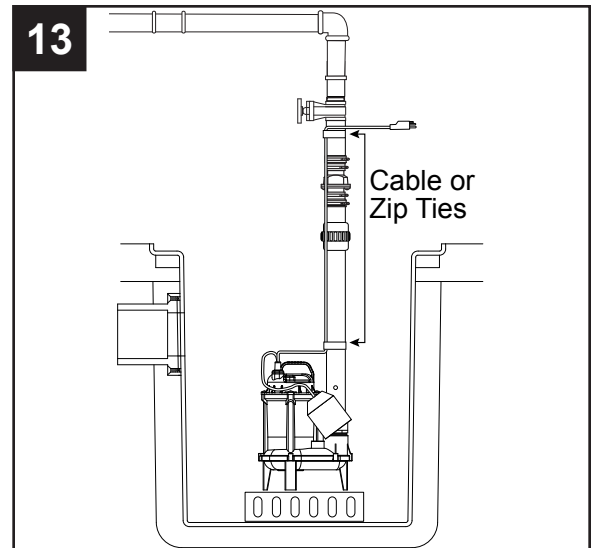
12. Connect remaining discharge pipe into main waste line to sewer or septic tank.



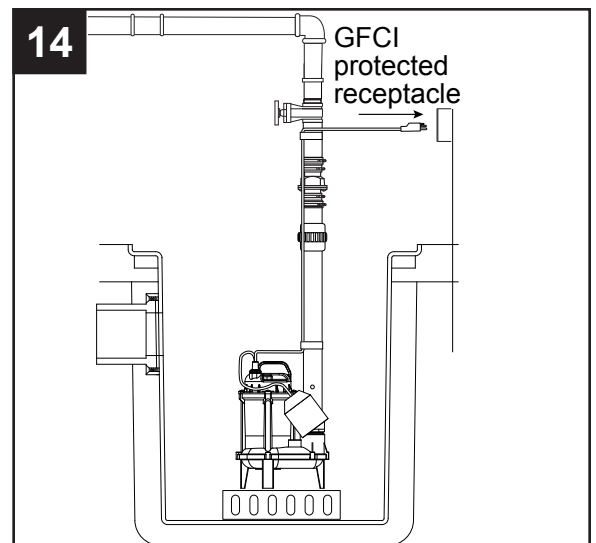


## INSTALLATION INSTRUCTIONS

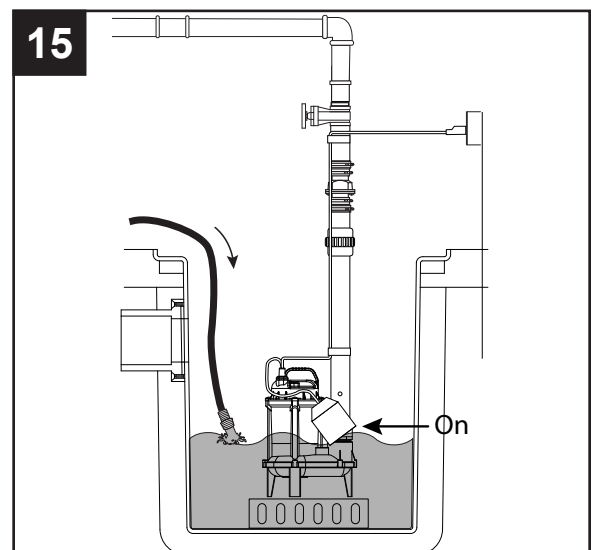
13. Attach power supply cord to discharge pipe using cable or zip ties (not included) to allow the float switch to move freely.



14. Connect pump power supply cord to a receptacle protected by a ground fault circuit interruptor (GFCI).

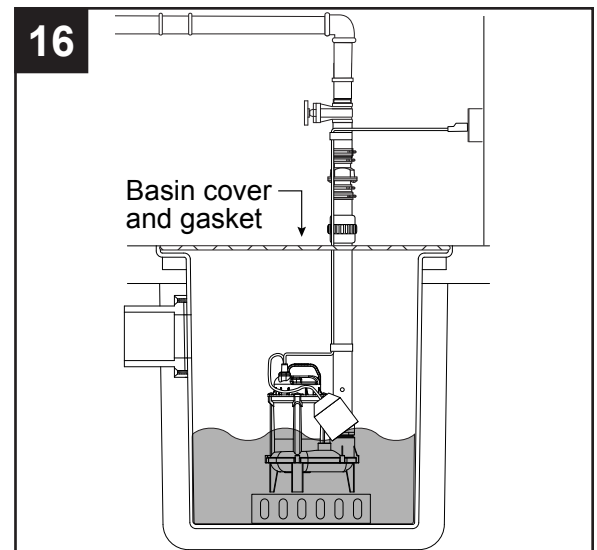


15. Fill the basin with water to check operation. The pump will start when the water level has reached the switch "on" level.

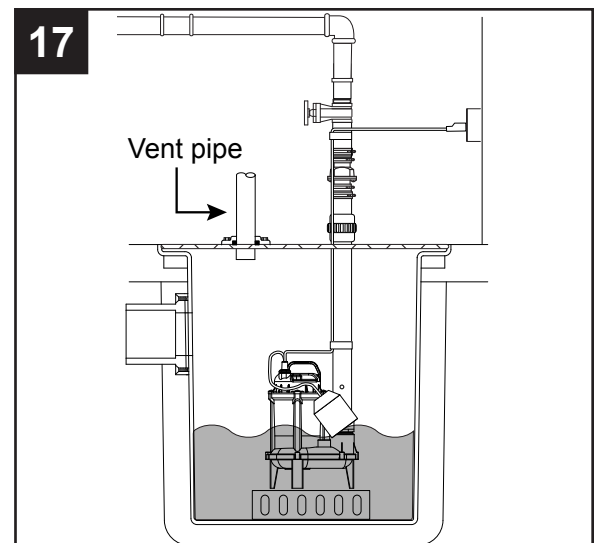


## INSTALLATION INSTRUCTIONS

16. Install a basin cover and gasket (not included) on the top of the basin. This will contain gases and odors, prevent debris from falling into the basin, and prevent personal injury.



17. Install a vent pipe (not included) according to local, regional, or state codes to remove gases and odors.



## SPECIFICATIONS

**MOTOR DATA CHART**

Model	HP	Phase	Volts	Max Amps	Locked Rotor Amps
30TC	1/3	1	115	8.4	19.5
50TC	1/2	1	115	9.5	21

**DISCHARGE HEIGHT ABOVE PUMPING LEVEL (LIFT)**

Model		0 ft.	5 ft.	10 ft.	15 ft.	20 ft.
30TC	GALLONS PER MINUTE	80	76	54	15	-
50TC		110	100	86	69	46

## TROUBLESHOOTING

Problem	Possible Cause	Corrective Action
Pump will not start or run.	<ol style="list-style-type: none"> <li>1. Water level too low.</li> <li>2. Blown fuse or tripped circuit breaker.</li> <li>3. Low line voltage.</li> <li>4. Motor is defective.</li> <li>5. Switch is defective.</li> <li>6. Inlet screen clogged.</li> <li>7. Switch is obstructed.</li> </ol>	<ol style="list-style-type: none"> <li>1. Water must be at the appropriate level to activate switch.</li> <li>2. If blown, determine cause and then either replace with properly sized fuse, or reset breaker.</li> <li>3. Contact an electrician.</li> <li>4. Replace pump.</li> <li>5. Replace switch.</li> <li>6. Remove debris.</li> <li>7. Remove obstruction to ensure free motion of switch.</li> </ol>
Pump starts and stops too often.	<ol style="list-style-type: none"> <li>1. Water is back-flowing into basin from discharge pipe.</li> <li>2. Switch is defective.</li> <li>3. Check valve not functioning properly or leaking.</li> </ol>	<ol style="list-style-type: none"> <li>1. Install check valve.</li> <li>2. Replace switch.</li> <li>3. Be sure check valve is installed and operating properly. Replace check valve if necessary.</li> </ol>
Pump shuts off and turns on independently of switch (trips thermal overload protection.)	<ol style="list-style-type: none"> <li>1. Excessive water temperature.</li> <li>2. Switch is defective.</li> <li>3. Switch is obstructed.</li> <li>4. Discharge pipe is clogged.</li> <li>5. Low line voltage.</li> </ol>	<ol style="list-style-type: none"> <li>1. Pump should not be used for water above 104°F (40°C).</li> <li>2. Replace switch.</li> <li>3. Remove obstruction to ensure free motion of switch.</li> <li>4. Remove clog in discharge piping.</li> <li>5. Contact an electrician.</li> </ol>
Pump is noisy or vibrates excessively.	<ol style="list-style-type: none"> <li>1. Worn bearings.</li> <li>2. Impeller is clogged or damaged.</li> <li>3. Piping attachment to building structure too rigid or too loose.</li> </ol>	<ol style="list-style-type: none"> <li>1. Replace pump.</li> <li>2. Where applicable, remove screen and volute, clean impeller or replace impeller.</li> <li>3. Install rubber coupling (not included) to isolate pump vibration from discharge piping.</li> </ol>
Pump will not shut off.	<ol style="list-style-type: none"> <li>1. Switch is defective.</li> <li>2. Switch is obstructed.</li> <li>3. Discharge pipe is clogged.</li> <li>4. Water inflow exceeds pump capacity.</li> </ol>	<ol style="list-style-type: none"> <li>1. Replace switch.</li> <li>2. Remove obstruction to ensure free motion of switch.</li> <li>3. Remove clog in discharge piping.</li> <li>4. Re-check sizing calculations to determine proper pump size.</li> </ol>

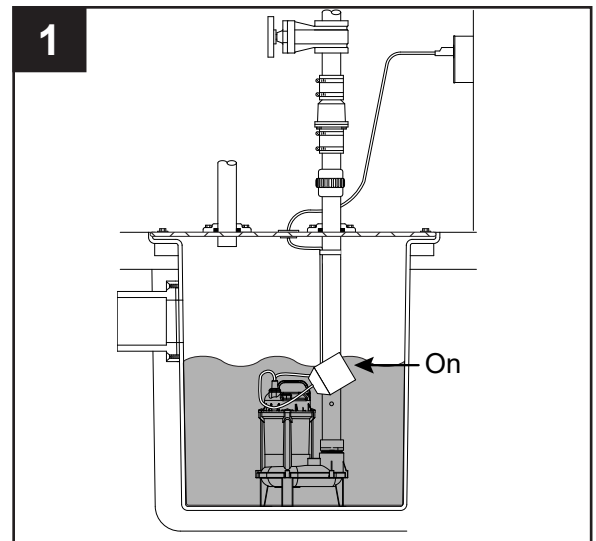
## TROUBLESHOOTING

Problem	Possible Cause	Corrective Action
Pump operates, but delivers little or no water.	<ol style="list-style-type: none"> <li>1. Low line voltage.</li> <li>2. Inlet screen clogged.</li> <li>3. Broken impeller or debris in impeller cavity.</li> <li>4. Check valve stuck closed or installed backwards.</li> <li>5. Shut off valve closed.</li> </ol>	<ol style="list-style-type: none"> <li>1. Contact an electrician.</li> <li>2. Remove debris.</li> <li>3. Remove screen and volute, clean impeller or replace impeller.</li> <li>4. Be sure check valve is installed and operating properly. Replace check valve if necessary.</li> <li>5. Open shut off valve.</li> </ol>

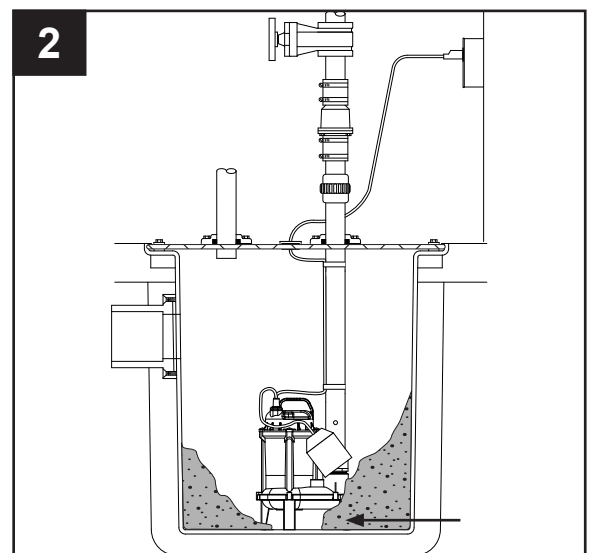
## CARE AND MAINTENANCE

**⚠ WARNING:** Always disconnect pump from power supply before handling.  
Inspect and test system for proper operation at least every three months.

1. Remove any build-up of debris from the switch or float, and check to be sure it moves freely.



2. Remove any debris from the basin that could interfere with the operation of the switch.



## WARRANTY

---

This product is warranted for one year from the date of purchase. Subject to the conditions hereinafter set forth, the manufacturer will repair or replace to the original consumer, any portion of the product which proves defective due to defective materials or workmanship. To obtain warranty service, contact the dealer from whom the product was purchased. The manufacturer retains the sole right and option to determine whether to repair or replace defective equipment, parts or components. Damage due to conditions beyond the control of the manufacturer is not covered by this warranty.

THIS WARRANTY WILL NOT APPLY: (a) To defects or malfunctions resulting from failure to properly install, operate or maintain the unit in accordance with printed instructions provided; (b) to failures resulting from abuse, accident or negligence or use of inappropriate chemicals or additives in the water; (c) to normal maintenance services and the parts used in connection with such service; (d) to units which are not installed in accordance with normal applicable local codes, ordinances and good trade practices; and (e) if the unit is used for purposes other than for what it was designed and manufactured.

RETURN OF WARRANTED COMPONENTS: Any item to be repaired or replaced under this warranty must be returned to the manufacturer at Kendallville, Indiana or such other place as the manufacturer may designate, freight prepaid.

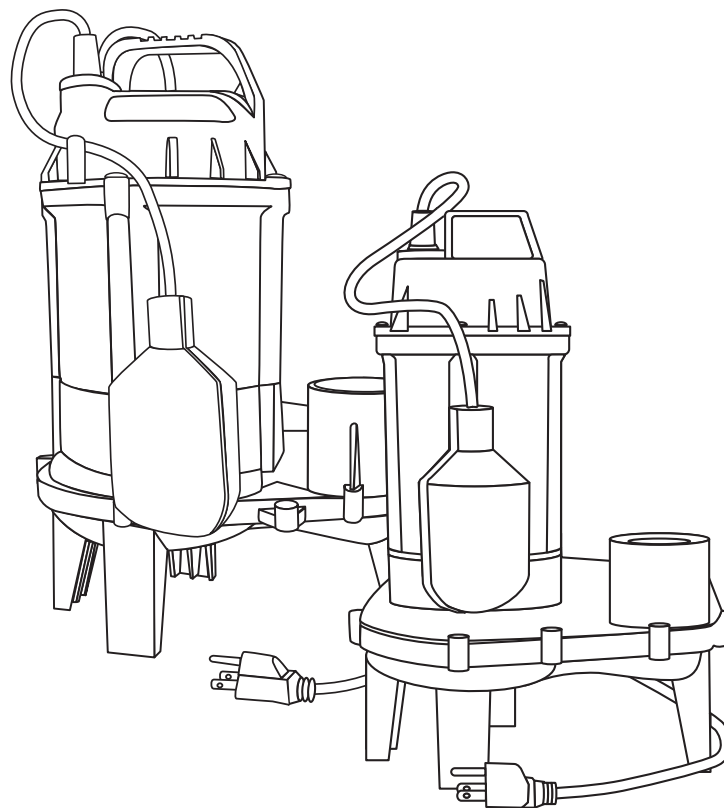
THE WARRANTY PROVIDED HEREIN IS IN LIEU OF ALL OTHER EXPRESS WARRANTIES, AND MAY NOT BE EXTENDED OR MODIFIED BY ANYONE. ANY IMPLIED WARRANTIES SHALL BE LIMITED TO THE PERIOD OF THE LIMITED WARRANTY AND THEREAFTER ALL SUCH IMPLIED WARRANTIES ARE DISCLAIMED AND EXCLUDED. THE MANUFACTURER SHALL NOT, UNDER ANY CIRCUMSTANCES, BE LIABLE FOR INCIDENTAL, CONSEQUENTIAL OR SPECIAL DAMAGES, SUCH AS, BUT NOT LIMITED TO DAMAGE TO, OR LOSS OF, OTHER PROPERTY OR EQUIPMENT, LOSS OF PROFITS, INCONVENIENCE, OR OTHER INCIDENTAL OR CONSEQUENTIAL DAMAGES OF ANY TYPE OR NATURE. THE LIABILITY OF THE MANUFACTURER SHALL NOT EXCEED THE PRICE OF THE PRODUCT UPON WHICH SUCH LIABILITY IS BASED.

This warranty gives you specific legal rights, and you may have other rights which vary from state to state. Some states do not allow limitations on duration of implied warranties or exclusion of incidental or consequential damages, so the above limitations may not apply to you.

**In those instances where damages are incurred as a result of an alleged pump failure, the Homeowner must retain possession of the pump for investigation purposes.**

# BOMBA PARA AGUAS NEGRAS

MODELOS #30TC, 50TC



## ADJUNTE SU RECIBO AQUÍ

Número de serie \_\_\_\_\_ Fecha de compra \_\_\_\_\_



¿Preguntas, problemas, partes faltantes? Antes de acudir al minorista, llame a nuestro departamento de servicio al cliente al 1-800-742-5044, de lunes a viernes de 7:30 a.m. a 5:00 p.m., EST.

## INFORMACIÓN DE SEGURIDAD

---

Lea y comprenda completamente este manual antes de intentar ensamblar, usar o instalar el producto.

- **NOTA:** Las bombas con la marca “UL” y con la marca “US” se prueban para cumplir los estándares de UL UL778. Las bombas con certificación CSA cumplen con el estándar CSA C22.2 No. 108. (CUS.)

### PELIGRO

- **PELIGRO DE ELECTROCUCIÓN.**

Siempre desconecte el suministro de fuerza eléctrica antes de hacer cualquier trabajo en o cerca del motor o su carga conectada. Si el punto de desconexión de la alimentación está fuera de la vista, fíjelo en la posición abierta y etiquételo para evitar una aplicación de alimentación inesperada. El incumplimiento de dicho paso podría provocar una descarga eléctrica fatal.

- **PELIGRO DE ELECTROCUCIÓN.**

No manipule la bomba con las manos húmedas ni cuando esté parado en el agua, ya que podría ocurrir una descarga eléctrica fatal. SIN IMPORTAR EL MOTIVO, desconecte la alimentación principal antes de manipular la unidad.

- **PELIGRO DE CHOQUE ELÉCTRICO.**

Esta bomba no ha sido diseñada para uso en áreas de piscinas.

### ADVERTENCIA

- **ALERTA DE DESCARGA ELÉCTRICA.**

Para reducir el riesgo de descarga eléctrica, instale solamente un circuito protegido por un interruptor de circuito con protección de falla a tierra (GFCI, por sus siglas en inglés). Cerciórese de que el receptáculo de falla a tierra esté dentro del alcance del cable de alimentación eléctrica de la bomba. NO USE NINGÚN CABLE DE EXTENSIÓN.

- **ALERTA DE DESCARGA ELÉCTRICA.**

Siga todos los códigos locales eléctricos y de seguridad, además del Código nacional de electricidad (NEC, por sus siglas en inglés) y el de la Administración de Salud y Seguridad Ocupacional (OSHA, por sus siglas en inglés).

- **ALERTA DE DESCARGA ELÉCTRICA.**

No doble el cable de alimentación y nunca permita que el cable entre en contacto con aceite, grasa, superficies calientes, productos químicos u objetos punzantes. Cambie inmediatamente los cables dañados o desgastados.

- **ALERTA DE DESCARGA ELÉCTRICA.**

Como medida de seguridad, la tierra de todo tomacorriente eléctrico debe ser verificada con un analizador de circuito aprobado por Underwriters Laboratory, el cual indicará si los cables vivo, neutro y tierra están conectados correctamente al tomacorriente. De no estar conectados correctamente, llame a un electricista calificado que cuente con la debida licencia.

- **ALERTA DE DESCARGA ELÉCTRICA.**

Estas bombas vienen con un enchufe de 3 clavijas, con conexión a tierra, para protegerlo en caso de una descarga eléctrica. BAJO NINGUNA CIRCUNSTANCIA quite el conector de tierra.

- **ALERTA DE DESCARGA ELÉCTRICA.**

Para reducir el riesgo de descarga eléctrica, instale un circuito protegido por un interruptor con detección de falla a tierra (GFCI). Todas bombas vienen con provisiones para fuga de tierra adecuada para proteger contra la posibilidad de descarga eléctrica.

- **ALERTA DE DESCARGA ELÉCTRICA.**

Compruebe que el circuito de suministro de energía eléctrica de la bomba esté equipado con fusibles o cortacircuitos de la capacidad adecuada. Es aconsejable usar un circuito derivado independiente con la capacidad estipulada en el Código eléctrico nacional de EE.UU. (National Electrical Code) según la corriente especificada en la placa de identificación de la bomba.

- **ADVERTENCIA DE PROPOSICIÓN 65 PARA RESIDENTES DE CALIFORNIA**

Cáncer y Daño Reproductivo – [www.P65Warnings.ca.gov](http://www.P65Warnings.ca.gov).

## PRECAUCIÓN

- **PUEDE PROVOCAR DAÑO AL PRODUCTO**

Asegúrese de que la fuente de energía cumpla los requisitos de su equipo.

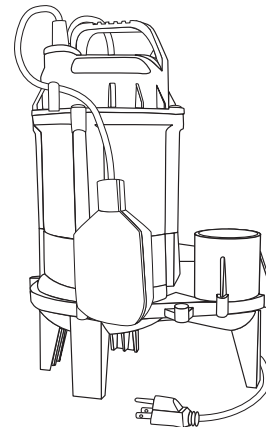
- **PUEDE PROVOCAR DAÑO AL PRODUCTO**

En los modelos de bombas estándar, la temperatura máxima del agua en régimen permanente nunca deberá exceder los 40°C (104°F).

## CONTENIDO DEL PAQUETE

---

Descripción	Cantidad
Bomba	1



## PREPARACIÓN

---

Antes de comenzar a instalar el producto, asegúrese de tener todas las piezas. Compare las piezas con la lista del contenido del paquete. No intente ensamblar el producto si falta alguna pieza o si estas están dañadas.

**Tiempo de instalación estimado: 2 horas.**

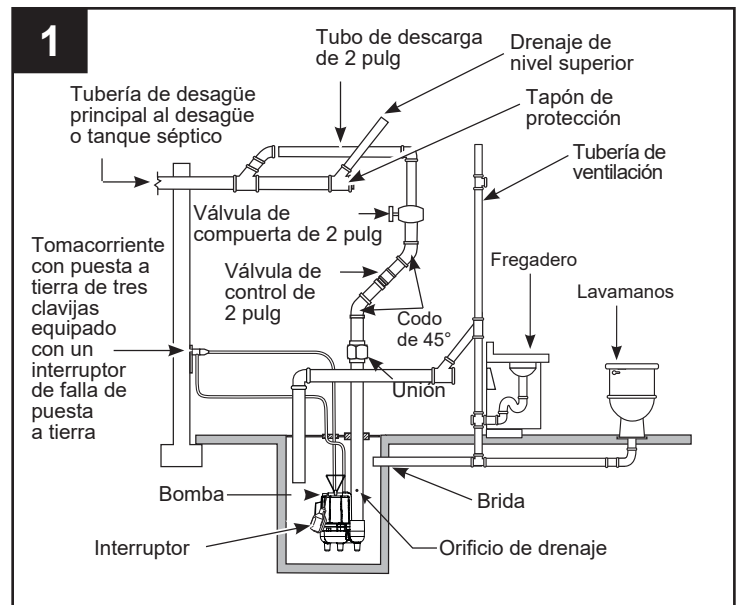
**Herramientas necesarias para el ensamblaje (no se incluyen):** Llave ajustable, sierra de mano, destornillador de cabeza plana, destornillador Phillips, cinta métrica, cuchillo para uso general, llave para tubos

**Piezas requeridas para el ensamblaje (no incluidas):** contenedor para agua de la bomba de sumidero de al menos 45 cm (18 pulg.) de ancho x 75 cm (30 pulg.) de profundidad, cubierta del contenedor, junta del contenedor, válvula de retención de 2 pulg., unión de 5 cm (2 pulg.), válvula de paso o válvula de bola según lo exigen los códigos, Tubería de PVC Sched 40 de DN50 (2 pulg.), sistema para pegar PVC de 2 pasos (imprimante y sellador), cable o abrazaderas de plástico

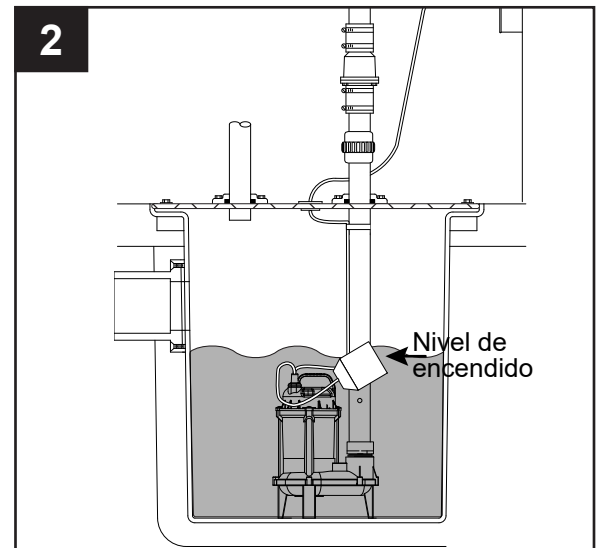


## INFORMACIÓN GENERAL ACERCA DE LA BOMBA

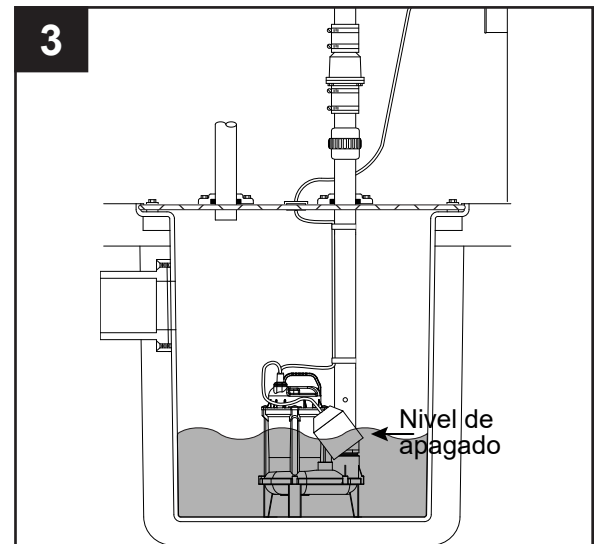
1. Las bombas para aguas servidas son bombas que se usan para eliminar agua servida que contiene sólidos de hasta 5,08 cm de diámetro. La aplicación más común es para drenar agua servida a un desagüe o línea séptica.



2. Estas bombas están equipadas con un interruptor de flotador. La bomba se encenderá automáticamente cuando el nivel de agua en el recipiente alcance el nivel de encendido.



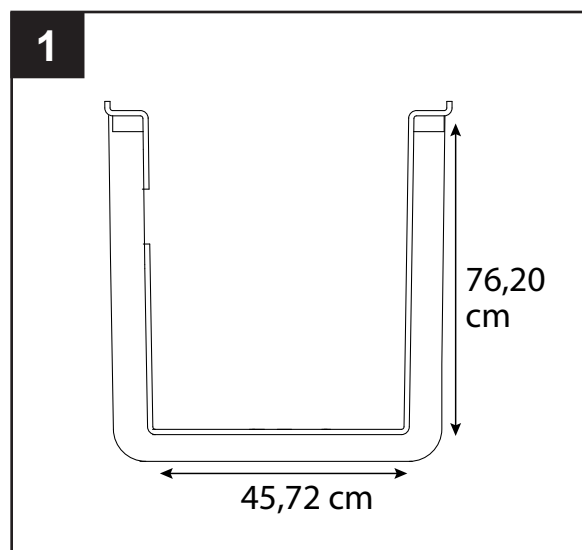
3. La bomba se apagará automáticamente cuando el nivel de agua en el recipiente alcance el nivel de apagado.



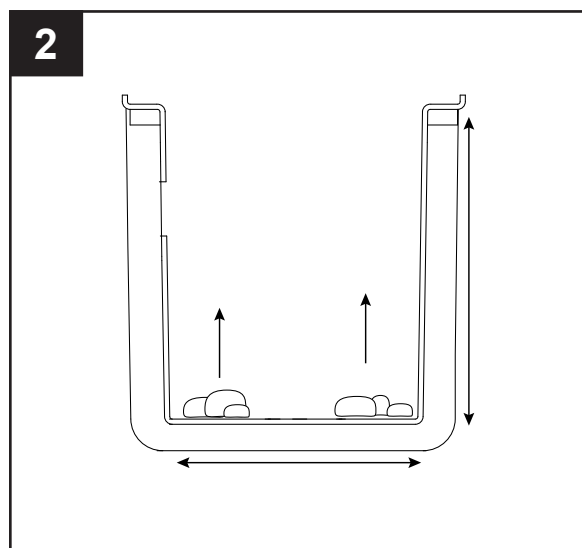
Artículo	Nivel de encendido	Nivel de apagado
30TC	15.7 pulg.	8.2 pulg.
50TC	14 pulg.	9 pulg.

## INSTRUCCIONES DE INSTALACIÓN

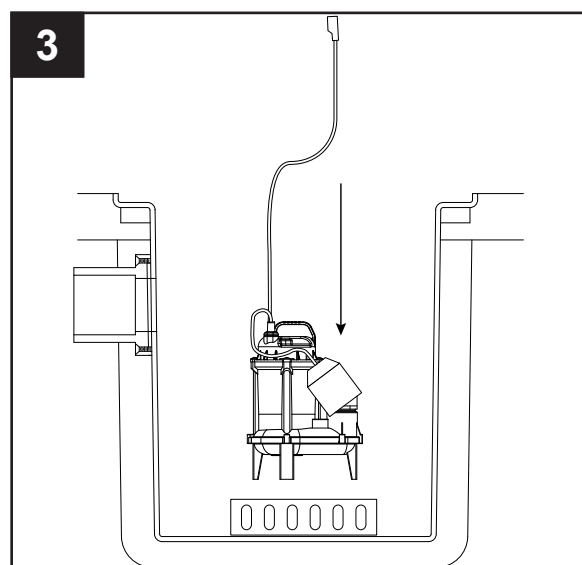
1. Se un recipiente (no se incluye) que sea de al menos 45,72 cm de ancho por 76,20 cm de profundidad.



2. Elimine todos los desechos del recipiente.

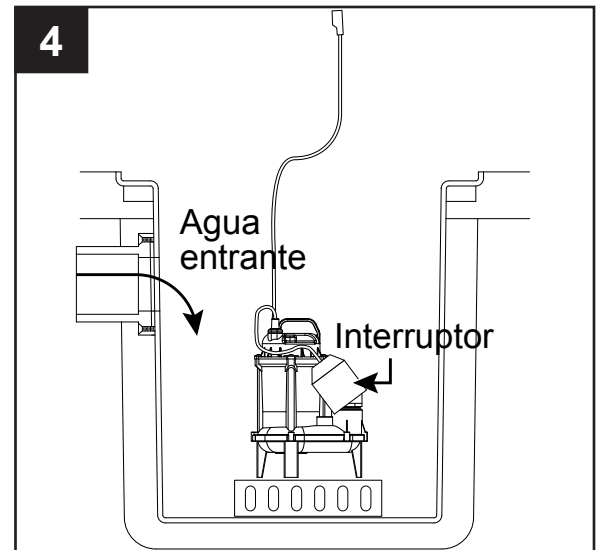


3. Fije la bomba en una superficie sólida y nivelada. Puede instalar un ladrillo o bloque (no se incluye) debajo de la bomba para proporcionar una base sólida.

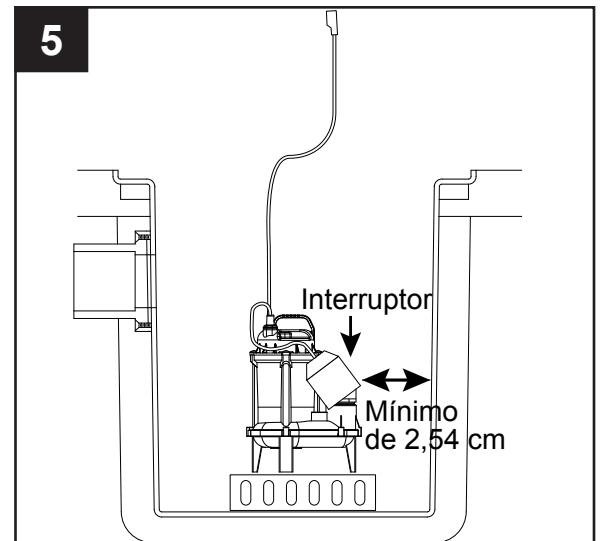


## INSTRUCCIONES DE INSTALACIÓN

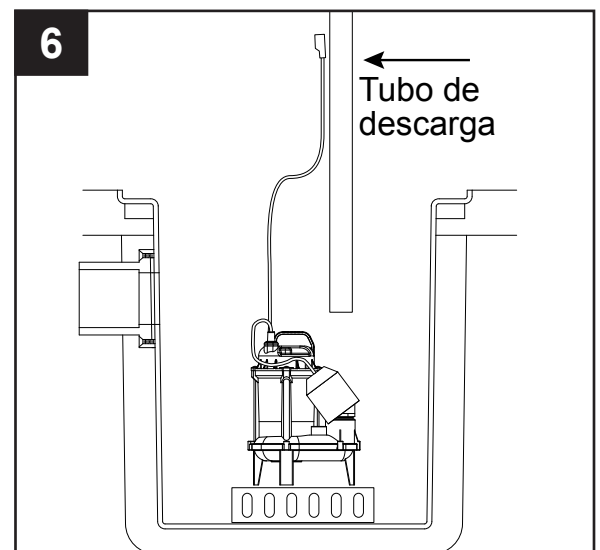
4. Coloque la bomba dentro del recipiente con el interruptor ubicado lejos del agua entrante.



5. Asegúrese de que el interruptor del flotador esté por lo menos a 25 mm (1") de las paredes laterales del contenedor para agua y libre de obstrucciones en todo el rango de movimiento del interruptor.

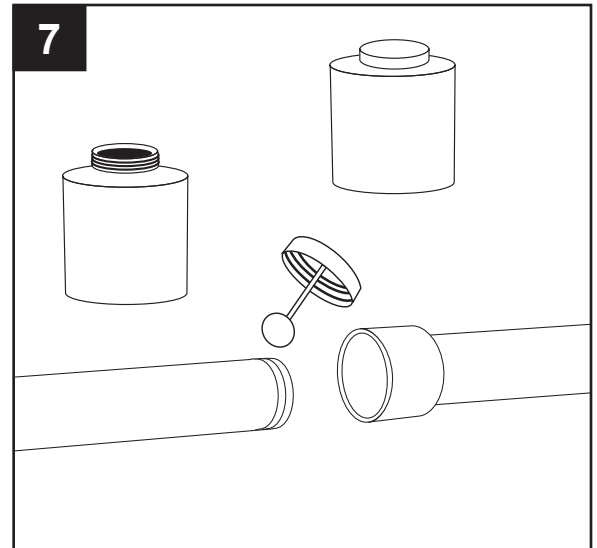


6. Instale una tubería de descarga rígida de 2" (no incluida) de acuerdo con los códigos locales, regionales y estatales.

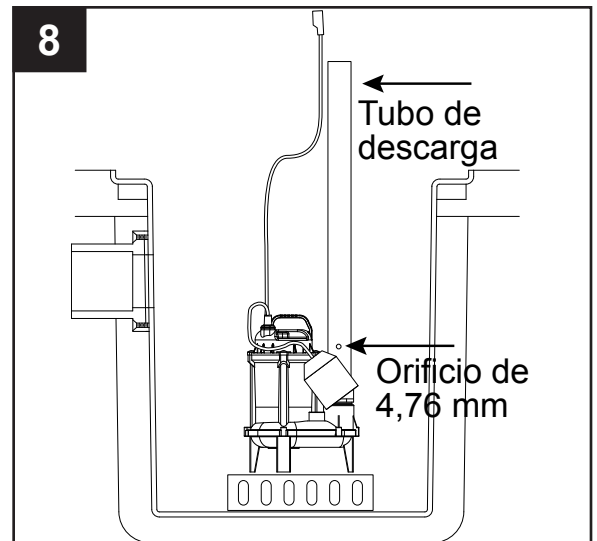


## INSTRUCCIONES DE INSTALACIÓN

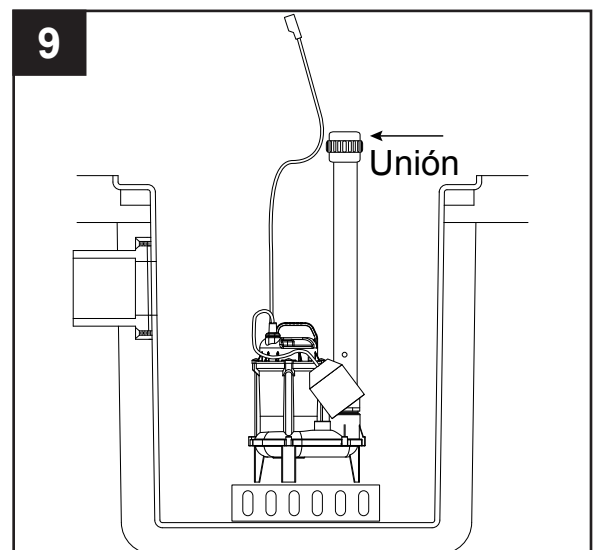
7. Use un sistema de adhesivo PVC de 2 pasos (no se incluye) para unir la tubería y cualquier conector necesario.



8. Taladre un orificio de 4,76 mm en el tubo de descarga sobre la descarga de la bomba para evitar obstrucciones de aire. El chorro de agua será visible desde este orificio cuando la bomba esté funcionando. El orificio se debe limpiar periódicamente.

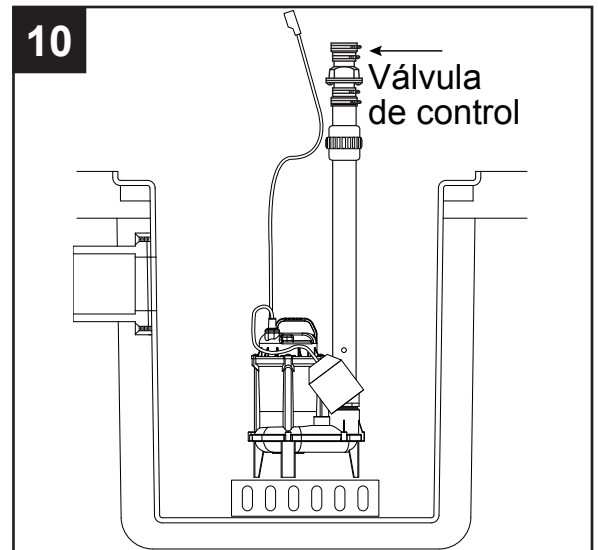


9. Instale una unión de 2 pulg (no se incluye) sobre el recipiente para permitir que la bomba se pueda extraer para fines de limpieza y servicio.

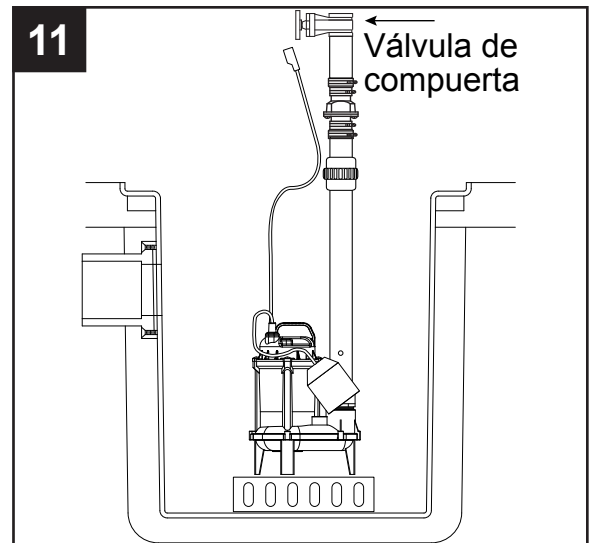


## INSTRUCCIONES DE INSTALACIÓN

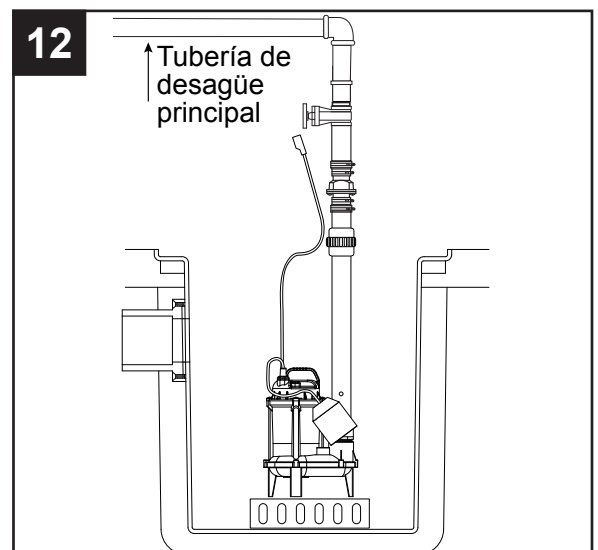
10. Instale una válvula de control de 2 pulg (no se incluye) sobre la unión para evitar el refluo.



11. Instale una válvula de compuerta de 2 pulg (no se incluye) sobre la válvula de control según lo requieran los códigos locales, regionales y estatales.

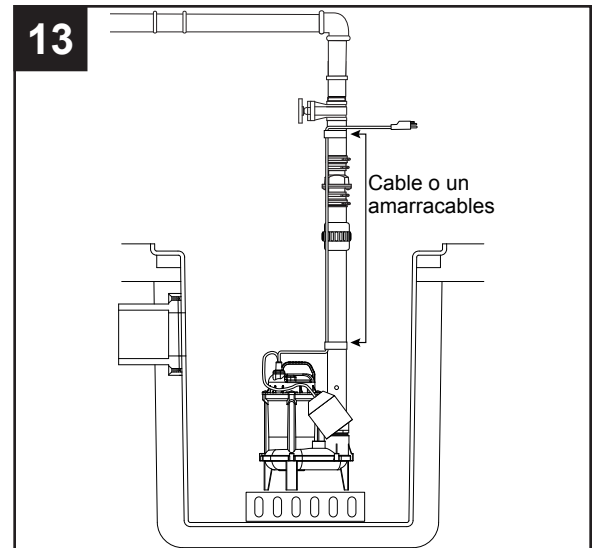


12. Conecte lo que queda de la tubería de descarga en la línea de desagüe principal hacia el alcantarillado o tanque séptico.

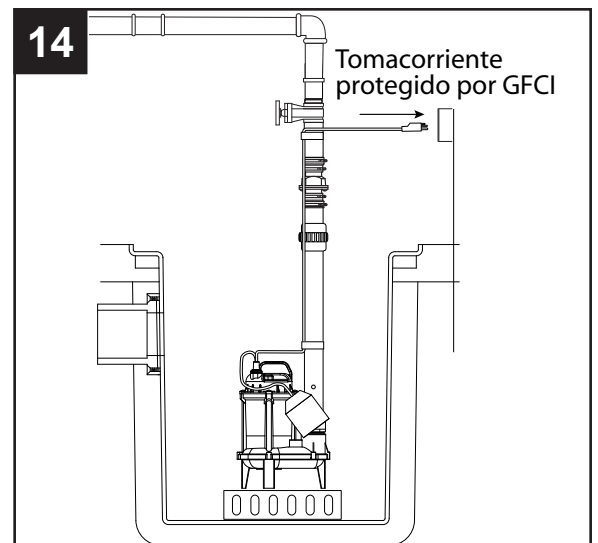


## INSTRUCCIONES DE INSTALACIÓN

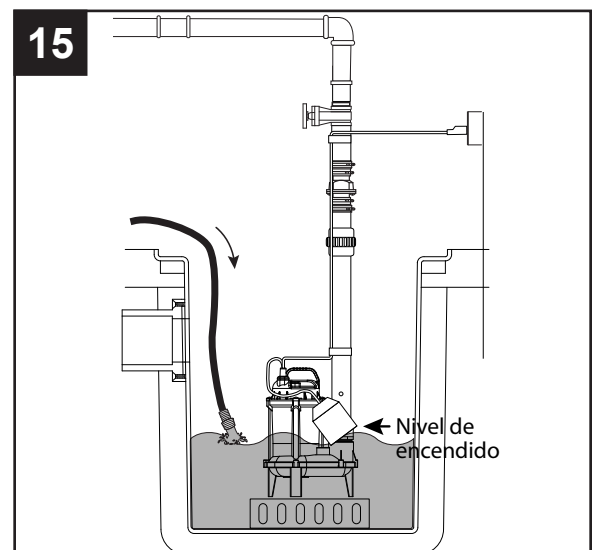
13. Fije el cable de suministro de electricidad al tubo de descarga con el cable o un amarracables (no se incluye) para permitir que el interruptor de flotador se mueva libremente.



14. Conecte el cable de suministro de electricidad de la bomba a un tomacorriente protegido por un interruptor de circuito de falla de puesta a tierra (GFCI, por sus siglas en inglés).

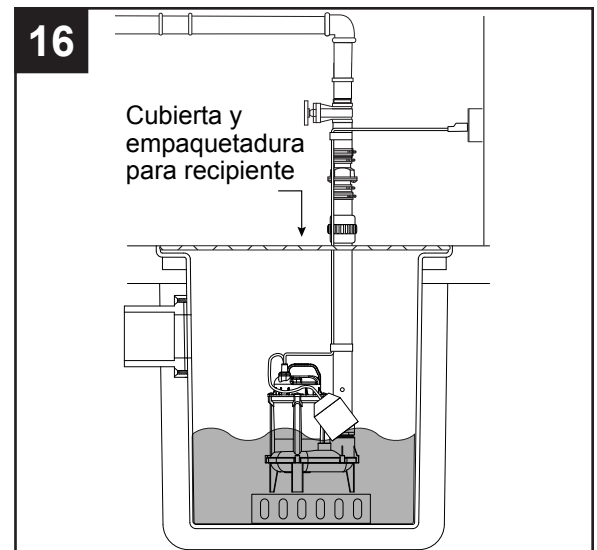


15. Llene el recipiente con agua para verificar su funcionamiento. La bomba comenzará a funcionar cuando el nivel de agua haya llegado al nivel de encendido del interruptor.

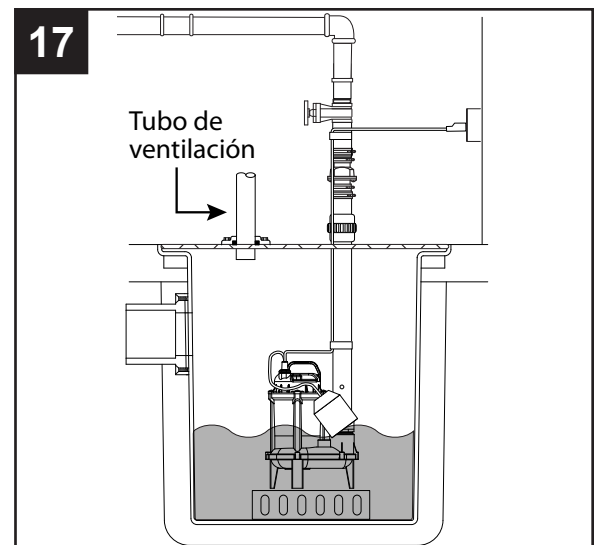


## INSTRUCCIONES DE INSTALACIÓN

16. Instale una cubierta y una empaquetadura (no se incluye) para recipiente en la parte superior del recipiente. Esto contendrá los gases y olores, evitará que caigan desechos al recipiente y evitará lesiones personales.



17. Instale un tubo de ventilación (no se incluye) de acuerdo con los códigos locales, regionales o estatales para eliminar gases y olores.



## ESPECIFICACIONES

**TABLA DE DATOS DEL MOTOR**

Modelo	HP	Fase	Voltios	Amperaje máximo	Amperaje del rotor bloqueado
30TC	1/3	1	115	8.4	19.5
50TC	1/2	1	115	9.5	21

**ALTURA DE DESCARGA SUPERIOR AL NIVEL DE BOMBEO (ELEVACIÓN)**

Modelo		0 pies	5 pies	10 pies	15 pies	20 pies
30TC	GALONES POR MINUTO	80	76	54	15	-
50TC		110	100	86	69	46

## SOLUCIÓN DE PROBLEMAS

Problema	Causa Posible	Corrección del Defecto
La bomba no enciende ni funciona.	<ol style="list-style-type: none"> <li>1. Water level too low.</li> <li>2. Se fundió un fusible o el interruptor de circuito se desconectó.</li> <li>3. El voltaje de línea es bajo.</li> <li>4. El motor está dañado.</li> <li>5. El interruptor está dañado.</li> <li>6. La malla de entrada está tapada.</li> <li>7. El interruptor está obstruido.</li> </ol>	<ol style="list-style-type: none"> <li>1. El nivel de agua es demasiado bajo.</li> <li>2. Si está fundido, determine la causa y luego reemplace por un fusible del tamaño adecuado o reinicie el circuito.</li> <li>3. Póngase en contacto con un electricista.</li> <li>4. Reemplace la bomba.</li> <li>5. Reemplace el interruptor.</li> <li>6. Retire los desechos.</li> <li>7. Retire la obstrucción para asegurar el libre movimiento del interruptor.</li> </ol>
La bomba enciende pero se detiene constantemente.	<ol style="list-style-type: none"> <li>1. El agua se devuelve al recipiente desde el tubo de descarga.</li> <li>2. El interruptor está dañado.</li> <li>3. La válvula de control no funciona correctamente o tiene fugas.</li> </ol>	<ol style="list-style-type: none"> <li>1. Instale la válvula de control.</li> <li>2. Reemplace el interruptor.</li> <li>3. Asegúrese de que la válvula de control esté instalada adecuadamente y de que funciona correctamente. Reemplace la válvula de control si es necesario.</li> </ol>
La bomba se cierra y se enciende en forma independiente del interruptor (se dispara en la protección de sobrecarga térmica).	<ol style="list-style-type: none"> <li>1. La temperatura del agua es excesiva.</li> <li>2. El interruptor está dañado.</li> <li>3. El interruptor está obstruido.</li> <li>4. La tubería de descarga está tapada.</li> <li>5. El voltaje de línea es bajo.</li> </ol>	<ol style="list-style-type: none"> <li>1. No se debe usar la bomba para agua sobre 40 °C (104 °F).</li> <li>2. Reemplace el interruptor.</li> <li>3. Retire la obstrucción para asegurar el libre movimiento del interruptor.</li> <li>4. Elimine la suciedad de la tubería de descarga.</li> <li>5. Póngase en contacto con un electricista.</li> </ol>
La bomba tiene mucho ruido y vibra excesivamente.	<ol style="list-style-type: none"> <li>1. Los rodamientos están desgastados.</li> <li>2. El impulsor está obstruido o dañado.</li> <li>3. La fijación de la tubería a la estructura del edificio está muy rígida o muy suelta.</li> </ol>	<ol style="list-style-type: none"> <li>1. Reemplace la bomba.</li> <li>2. Cuando corresponda, quite la rejilla y la espiral, limpie el impulsor o reemplácelo.</li> <li>3. Instale un acoplador de goma (no se incluye) para aislar la vibración de la bomba desde el tubo de descarga.</li> </ol>
La bomba no se cierra.	<ol style="list-style-type: none"> <li>1. El interruptor está dañado.</li> <li>2. El interruptor está obstruido.</li> <li>3. La tubería de descarga está tapada.</li> <li>4. El flujo de agua entrante excede la capacidad de la bomba.</li> </ol>	<ol style="list-style-type: none"> <li>1. Reemplace el interruptor.</li> <li>2. Retire la obstrucción para asegurar el libre movimiento del interruptor.</li> <li>3. Elimine la suciedad de la tubería de descarga.</li> <li>4. Vuelva a verificar los cálculos de tamaño para determinar el tamaño adecuado de la bomba.</li> </ol>



## SOLUCIÓN DE PROBLEMAS

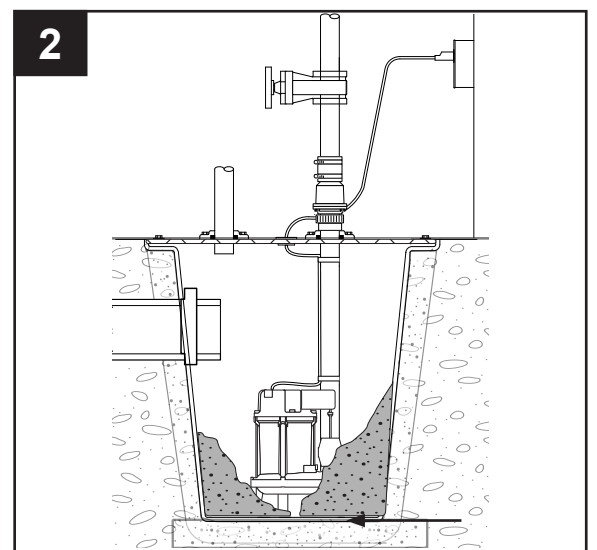
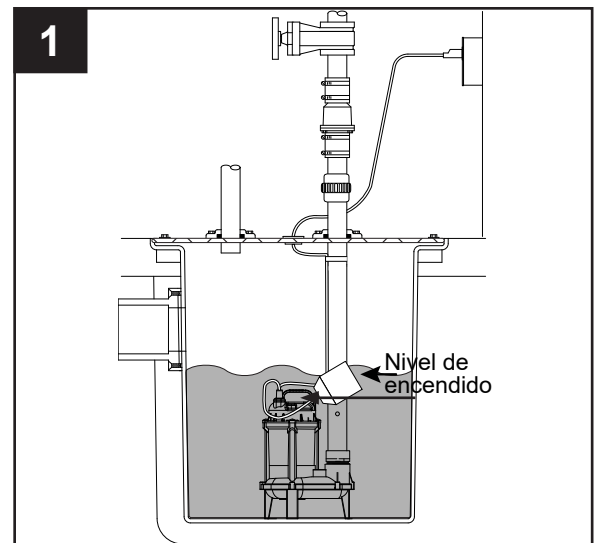
Problema	Causa Posible	Corrección del Defecto
La bomba funciona pero sale muy poca o nada de agua.	<ol style="list-style-type: none"> <li>1. El voltaje de línea es bajo.</li> <li>2. La malla de entrada está tapada.</li> <li>3. El impulsor está roto o hay suciedad en la cavidad del impulsor.</li> <li>4. La válvula de control está cerrada o instalada al revés.</li> <li>5. La válvula de cierre está cerrada.</li> </ol>	<ol style="list-style-type: none"> <li>1. Póngase en contacto con un electricista.</li> <li>2. Retire los desechos.</li> <li>3. Retire la malla y la voluta, limpie el impulsor o reemplácelo.</li> <li>4. Asegúrese de que la válvula de control esté instalada y funcionando correctamente. Reemplace la válvula de control si es necesario.</li> <li>5. Abra la válvula de cierre.</li> </ol>

## Cuidado y mantenimiento

**⚠ ADVERTENCIA:** Siempre desconecte la bomba del suministro de alimentación antes de manipularla. Inspeccione y pruebe el buen funcionamiento de los sistemas al menos cada tres meses.

1. Retire cualquier acumulación o desecho del interruptor o del flotador y revíselo para asegurarse de que se mueve libremente.

2. Retire todos los desechos en la pila que puedan interferir con el funcionamiento del interruptor.



## **GARANTÍA**

---

Este producto se garantiza por un período de un año a partir de la fecha de compra. Sujeto a las condiciones indicadas a continuación, el fabricante se compromete a reparar o reemplazar al consumidor original cualquier parte del producto que resulte defectuosa debido a defectos de materiales o mano de obra. Para obtener el servicio de garantía, póngase en contacto con el distribuidor al que le compró el producto. El fabricante se reserva el derecho y la opción exclusivos de determinar si se deben reparar o sustituir los equipos, piezas o componentes defectuosos. Los daños debidos a circunstancias ajenas al control del fabricante no están cubiertos por esta garantía.

**ESTA GARANTÍA NO APLICARÁ:** (a) a defectos o mal funcionamiento ocasionados por no instalar, operar o mantener la unidad de acuerdo con las instrucciones impresas proporcionadas, (b) a los fallos resultantes del abuso, accidentes o negligencia o uso inapropiado de productos químicos o aditivos en el agua, (c) a los servicios normales de mantenimiento y las piezas utilizadas en relación con dicho servicio; (d) a las unidades que no estén instaladas de acuerdo con los códigos locales, ordenanzas y buenas prácticas comerciales normalmente aplicables y (e) la unidad se utiliza para fines distintos a los que fue diseñada y fabricada.

**DEVOLUCIÓN DE COMPONENTES EN GARANTÍA:** Cualquier elemento a ser reparado o reemplazado bajo esta garantía debe ser devuelto al fabricante en Kendallville, Indiana o a cualquier otro lugar que el fabricante pueda designar, con flete prepago.

**LA GARANTÍA AQUÍ CONTENIDA ESTÁ EN LUGAR DE TODAS LAS OTRAS GARANTÍAS EXPRESAS Y NO PUEDE SER AMPLIADA O MODIFICADA POR NADIE. CUALQUIER GARANTÍA IMPLÍCITA DEBERÁ LIMITARSE AL PERÍODO DE ESTA GARANTÍA LIMITADA Y A PARTIR DE ENTONCES TODAS DICHAS GARANTÍAS IMPLÍCITAS QUEDARÁN RECHAZADAS Y EXCLUIDAS. EL FABRICANTE NO SERÁ RESPONSABLE, BAJO NINGUNA CIRCUNSTANCIA, DE NINGÚN DAÑO INCIDENTAL, CONSECUENTE O ESPECIAL, COMO, A TÍTULO ENUNCIATIVO PERO NO RESTRICTIVO, LA PÉRDIDA DE OTROS BIENES O EQUIPOS, LA PÉRDIDA DE BENEFICIOS, INCONVENIENTES U OTROS DAÑOS INCIDENTALES O CONSECUENTES DE CUALQUIER TIPO O CARÁCTER. LA RESPONSABILIDAD DEL FABRICANTE NO DEBERÁ SUPERAR EL PRECIO DEL PRODUCTO EN EL CUAL SE BASE TAL RESPONSABILIDAD.**

Esta garantía le otorga a usted derechos legales específicos y podría tener otros derechos que varían de un estado a otro. Algunos estados no permiten limitaciones en la duración de una garantía implícita, de forma que la limitación anterior podría no aplicar a usted. Algunos estados no permiten la exclusión o limitación de daños incidentales o emergentes, de forma que la limitación o exclusión anterior podría no aplicar a usted.

**En aquellas instancias en que haya daños causados por una presunta falla de la bomba, el propietario deberá conservar la bomba a fin de investigar dicha falla.**